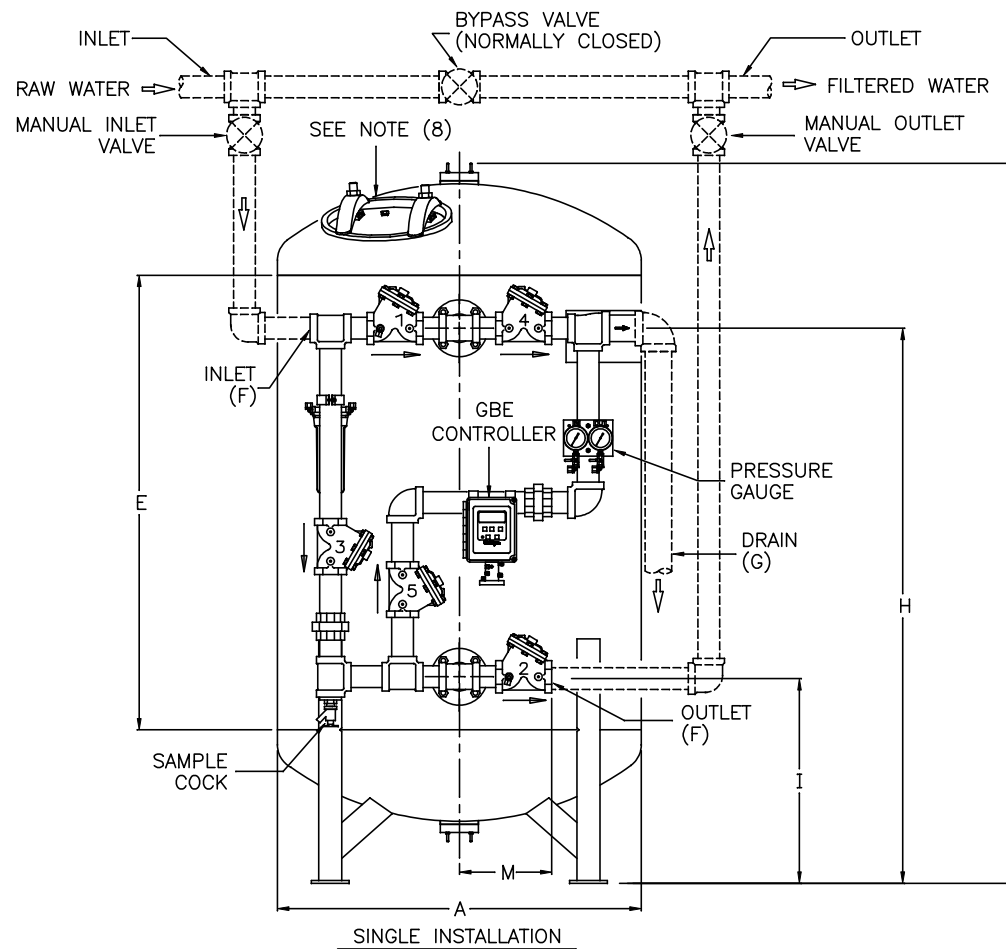
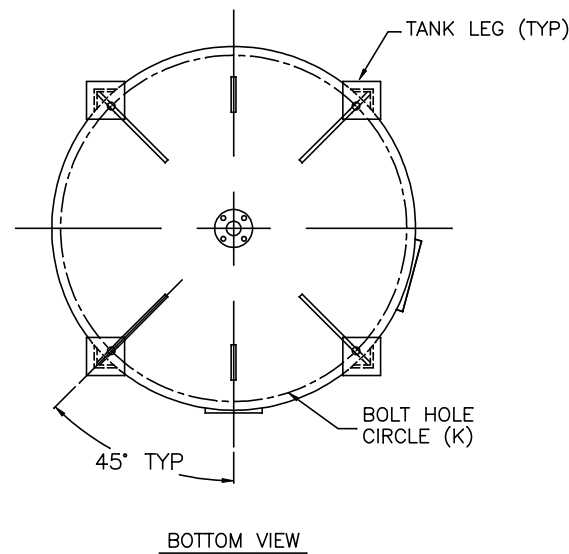
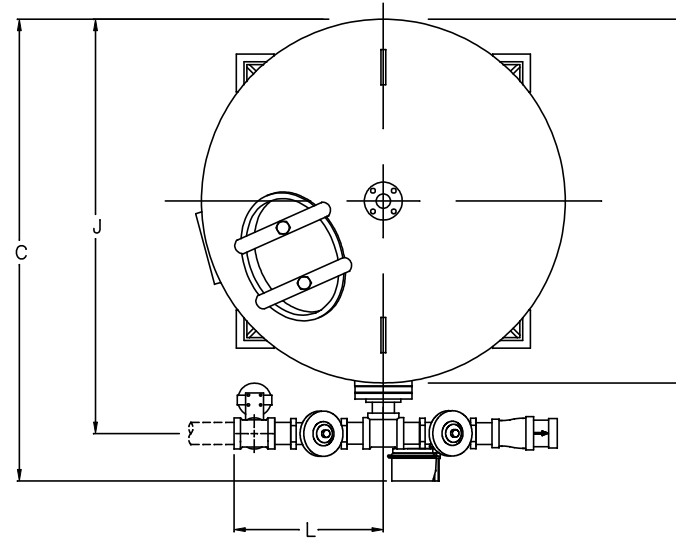


NOTES:

- (1) ITEMS SHOWN IN BROKEN LINES TO BE FURNISHED BY OTHERS.
- (2) ALL DIMENSIONS ARE ± 1 INCH (25mm) AND SUBJECT TO CHANGE WITHOUT NOTICE.
- (3) UNIONS SHOULD BE LOCATED ON INLET AND OUTLET CONNECTIONS OF CONTROL VALVE TO FACILITATE SERVICING.
- (4) THE USE OF DISSIMILAR METALS IN A PIPING SYSTEM IS NOT RECOMMENDED. WHERE DISSIMILAR METALS MUST BE CONNECTED IN A WATER SYSTEM. THE USE OF NONCONDUCTIVE (DIELECTRIC) FITTINGS MAY REDUCE GALVANIC CORROSION.
- (5) AN ELECTRICAL OUTLET SHOULD BE PROVIDED WITHIN FIVE FEET OF THE EQUIPMENT LOCATION.
- (6) ALLOW A MINIMUM OF 24 INCHES ABOVE SOFTENER FOR FILLING.
- (7) TO PERMIT THE OBSERVATION OF THE DRAIN FLOW DO NOT MAKE A DIRECT CONNECTION TO THE DRAIN. PROVIDE AN AIR GAP OF AT LEAST FOUR TIMES THE DIAMETER OF THE DRAIN PIPE OR CONFORM TO LOCAL SANITATION CODES.
- (8) ACCESS OPENINGS SHOWN ON TANK ARE FOR REFERENCE ONLY. QUANTITY, TYPE AND PLACEMENT ARE DEPENDENT ON TANK SIZE.

MODEL	DIMENSIONS (INCHES)														TASTE, ODOR & ORGANICS REMOVAL FLOW gpm @ DP	DE-CHLORINATION FLOW gpm @ DP	DRAIN FLOW gpm	MIN. DRAIN PIPE SIZE IN.	SIMPLEX OPER. WT. lbs.	SIMPLEX SHIP. WT. lbs.
	WIDTH A	HEIGHT B	DEPTH C	TANK DIA. D	SIDE-SHELL E	INLET/OUTLET PIPE SIZES F	DRAIN SIZE G	FLOOR TO INLET H	FLOOR TO OUTLET I	BACK TO INLET/OUTLET J	BOLT HOLE CIRCLE K	INLET OFFSET L	OUTLET OFFSET M							
HR-4825	49	93	64	48	60	2.5	3.0	73	27	57	45.7	20	12	63 @ 4	126 @ 15	136	3.0	7800	5200	

TOP VIEW



DO NOT SCALE DRAWING TOLERANCES: ±1/8" UNLESS OTHERWISE NOTED				
Let.	Change	By	App	Date

Culligan®
ENGINEERED SYSTEMS
 ROSEMONT, ILLINOIS

PRINT AND BILL OF MATERIAL ARE NOT TO BE USED WITHOUT THE WRITTEN CONSENT OF CULLIGAN INTERNATIONAL CO.

NAME HI-FLO @50 FILTERS (CARBON) MODELS HR-4825 TECHNICAL DATA SHEET		
DETAILED BY: KMR 7/15/03	APP. BY: KSR 01/11/10	SHEET 1 OF 1
REF. NO.	PART NO. F50_25_1_CARBON	

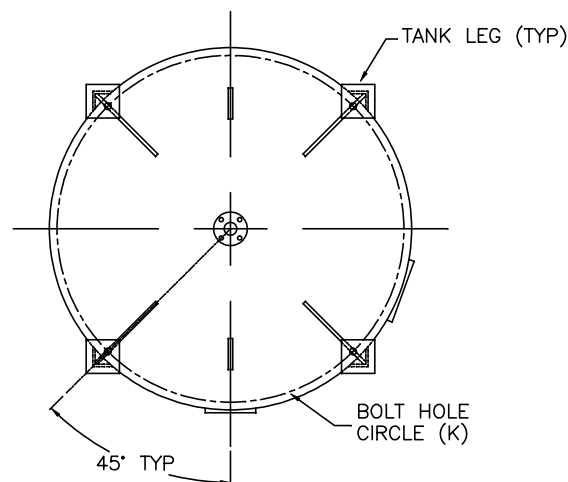
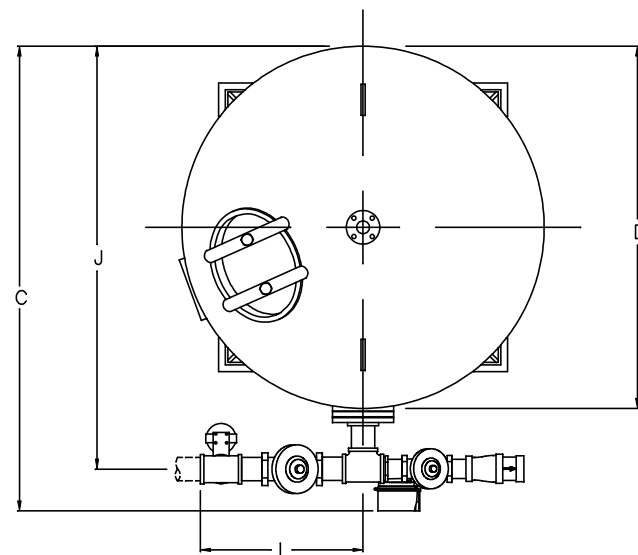
NOTES:

- (1) ITEMS SHOWN IN BROKEN LINES TO BE FURNISHED BY OTHERS.
- (2) ALL DIMENSIONS ARE ± 1 INCH (25mm) AND SUBJECT TO CHANGE WITHOUT NOTICE.
- (3) UNIONS SHOULD BE LOCATED ON INLET AND OUTLET CONNECTIONS OF CONTROL VALVE TO FACILITATE SERVICING.
- (4) THE USE OF DISSIMILAR METALS IN A PIPING SYSTEM IS NOT RECOMMENDED. WHERE DISSIMILAR METALS MUST BE CONNECTED IN A WATER SYSTEM. THE USE OF NONCONDUCTIVE (DIELECTRIC) FITTINGS MAY REDUCE GALVANIC CORROSION.
- (5) AN ELECTRICAL OUTLET SHOULD BE PROVIDED WITHIN FIVE FEET OF THE EQUIPMENT LOCATION.
- (6) ALLOW A MINIMUM OF 24 INCHES ABOVE SOFTENER FOR FILLING.
- (7) TO PERMIT THE OBSERVATION OF THE DRAIN FLOW DO NOT MAKE A DIRECT CONNECTION TO THE DRAIN. PROVIDE AN AIR GAP OF AT LEAST FOUR TIMES THE DIAMETER OF THE DRAIN PIPE OR CONFORM TO LOCAL SANITATION CODES.
- (8) ACCESS OPENINGS SHOWN ON TANK ARE FOR REFERENCE ONLY. QUANTITY, TYPE AND PLACEMENT ARE DEPENDENT ON TANK SIZE.

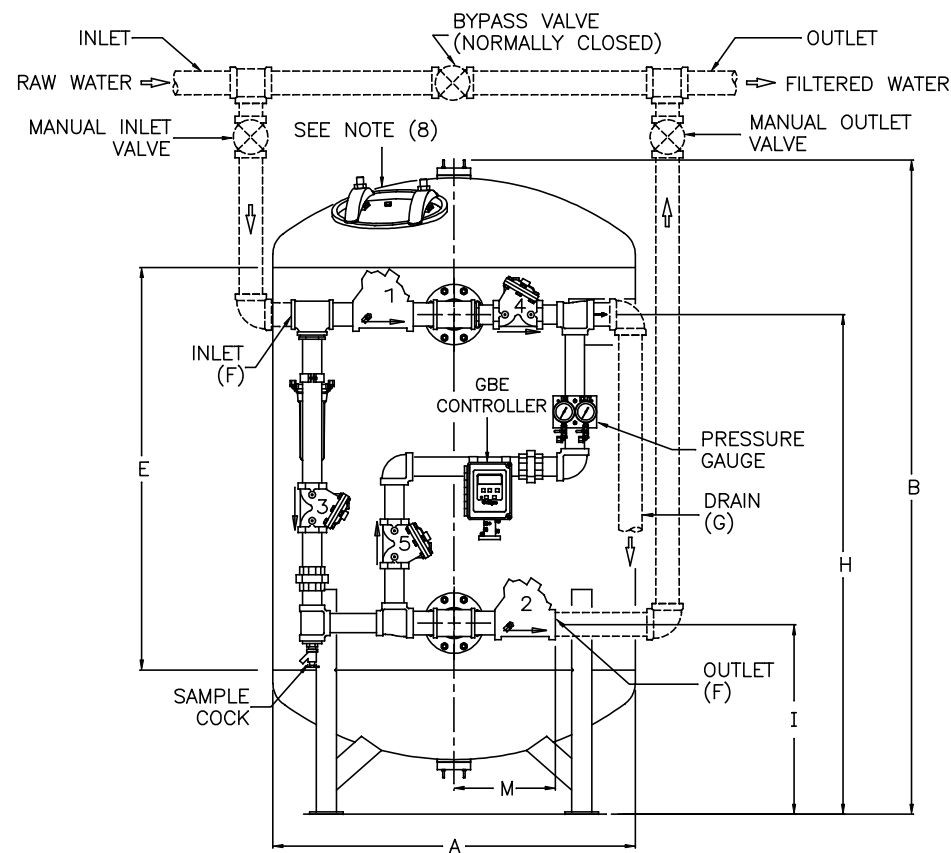
DIMENSIONS (INCHES)

MODEL	WIDTH A	HEIGHT B	DEPTH C	TANK DIA. D	SIDE-SHELL E	INLET/OUTLET PIPE SIZES F	DRAIN SIZE G	FLOOR TO INLET H	FLOOR TO OUTLET I	BACK TO INLET/OUTLET J	BOLT HOLE CIRCLE K	INLET OFFSET L	OUTLET OFFSET M	TASTE, ODOR & ORGANICS REMOVAL FLOW gpm @ DP	DE-CHLORINATION FLOW gpm @ DP	DRAIN FLOW gpm	MIN. DRAIN PIPE SIZE IN.	SIMPLEX OPER. WT. lbs.	SIMPLEX SHIP. WT. lbs.
HR-543	55	96	70	54	60	3.0	3.0	75	29	62	51.7	24	15	95 @ 8	159 @ 18	160	3.0	9900	6500
HR-603	61	98	76	60	60	3.0	3.0	76	30	68	57.63	24	15	118 @ 2	196 @ 12	210	3.0	12200	8000

TOP VIEW



BOTTOM VIEW



SINGLE INSTALLATION

DO NOT SCALE DRAWING TOLERANCES: ±1/8" UNLESS OTHERWISE NOTED				
Let.	Change	By	App	Date

Culligan®
ENGINEERED SYSTEMS
 ROSEMONT, ILLINOIS

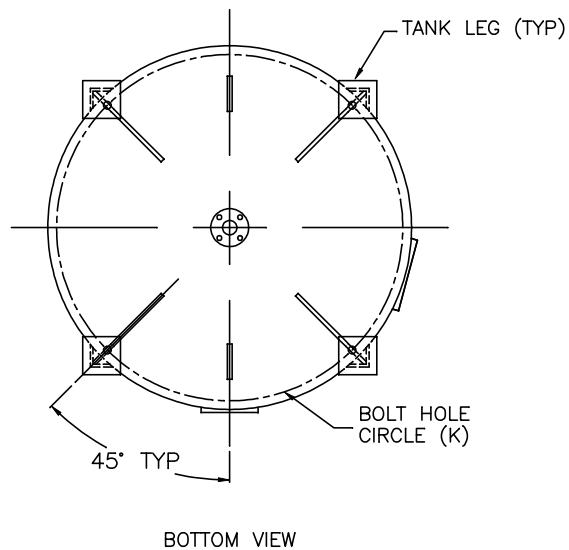
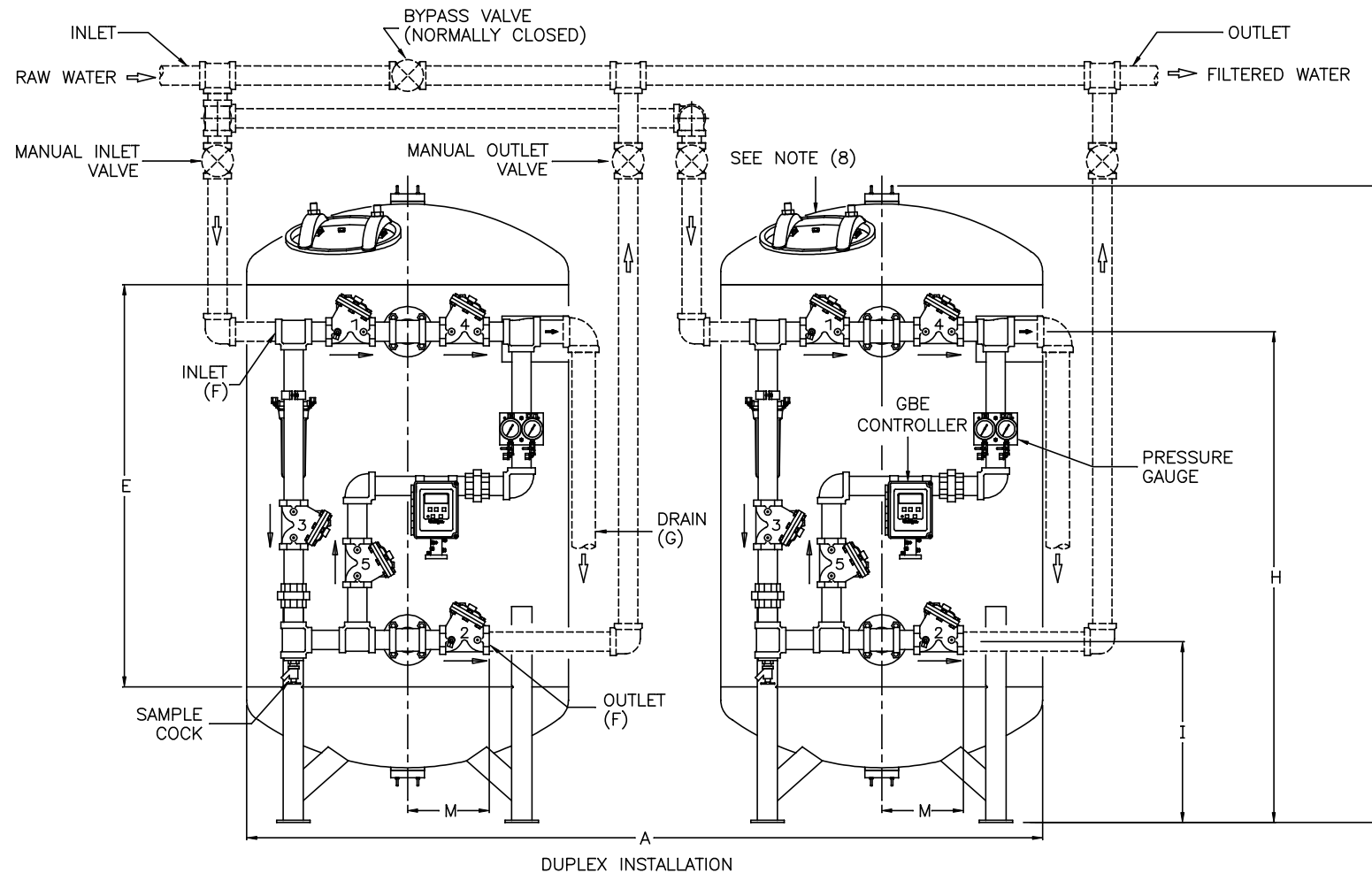
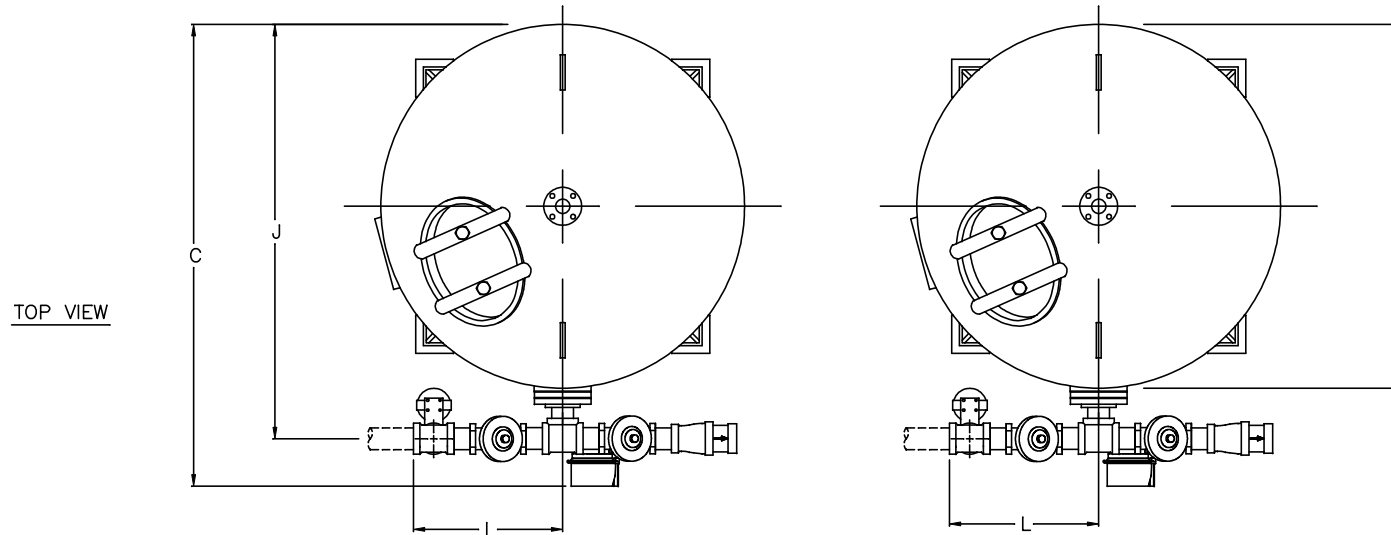
PRINT AND BILL OF MATERIAL ARE NOT TO BE USED WITHOUT THE WRITTEN CONSENT OF CULLIGAN INTERNATIONAL CO.

NAME HI-FLO @50 FILTERS (CARBON) MODELS HR-543, HR-603 TECHNICAL DATA SHEET		
DETAILED BY: KMR 12/03/03	APP. BY: KSR 01/11/10	SHEET 1 OF 1
REF. NO.	PART NO. F50_3_1_CARBON	

NOTES:

- (1) ITEMS SHOWN IN BROKEN LINES TO BE FURNISHED BY OTHERS.
- (2) ALL DIMENSIONS ARE ± 1 INCH (25mm) AND SUBJECT TO CHANGE WITHOUT NOTICE.
- (3) UNIONS SHOULD BE LOCATED ON INLET AND OUTLET CONNECTIONS OF CONTROL VALVE TO FACILITATE SERVICING.
- (4) THE USE OF DISSIMILAR METALS IN A PIPING SYSTEM IS NOT RECOMMENDED. WHERE DISSIMILAR METALS MUST BE CONNECTED IN A WATER SYSTEM. THE USE OF NONCONDUCTIVE (DIELECTRIC) FITTINGS MAY REDUCE GALVANIC CORROSION.
- (5) AN ELECTRICAL OUTLET SHOULD BE PROVIDED WITHIN FIVE FEET OF THE EQUIPMENT LOCATION.
- (6) ALLOW A MINIMUM OF 24 INCHES ABOVE SOFTENER FOR FILLING.
- (7) TO PERMIT THE OBSERVATION OF THE DRAIN FLOW DO NOT MAKE A DIRECT CONNECTION TO THE DRAIN. PROVIDE AN AIR GAP OF AT LEAST FOUR TIMES THE DIAMETER OF THE DRAIN PIPE OR CONFORM TO LOCAL SANITATION CODES.
- (8) ACCESS OPENINGS SHOWN ON TANK ARE FOR REFERENCE ONLY. QUANTITY, TYPE AND PLACEMENT ARE DEPENDENT ON TANK SIZE.

MODEL	DIMENSIONS (INCHES)													UNIT DATA PER TANK					
	WIDTH A	HEIGHT B	DEPTH C	TANK DIA. D	SIDE-SHELL E	INLET/OUTLET PIPE SIZES F	DRAIN SIZE G	FLOOR TO INLET H	FLOOR TO OUTLET I	BACK TO INLET/OUTLET J	BOLT HOLE CIRCLE K	INLET OFFSET L	OUTLET OFFSET M	TASTE, ODOR & ORGANICS REMOVAL FLOW gpm @ DP	DE-CHLORINATION FLOW gpm @ DP	DRAIN FLOW gpm	MIN. DRAIN PIPE SIZE IN.	DUPLEX OPER. WT. lbs.	DUPLEX SHIP. WT. lbs.
HR-4825	110	93	64	48	60	2.5	3.0	73	27	57	45.7	20	12	63 @ 4	126 @ 15	136	3.0	15600	10400



DO NOT SCALE DRAWING
TOLERANCES: ±1/8" UNLESS OTHERWISE NOTED

Let.	Change	By	App	Date

Culligan®
ENGINEERED SYSTEMS
ROSEMONT, ILLINOIS

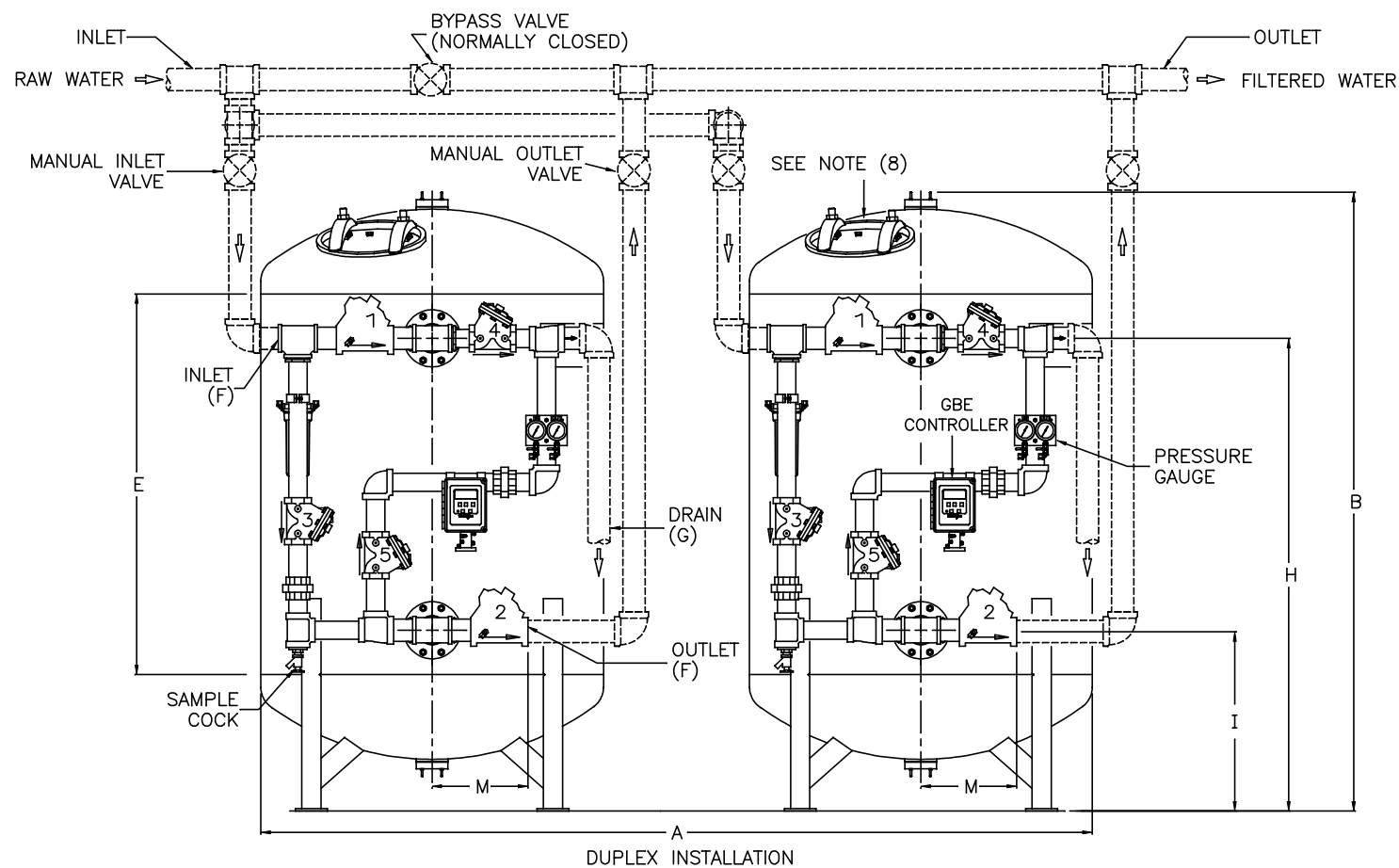
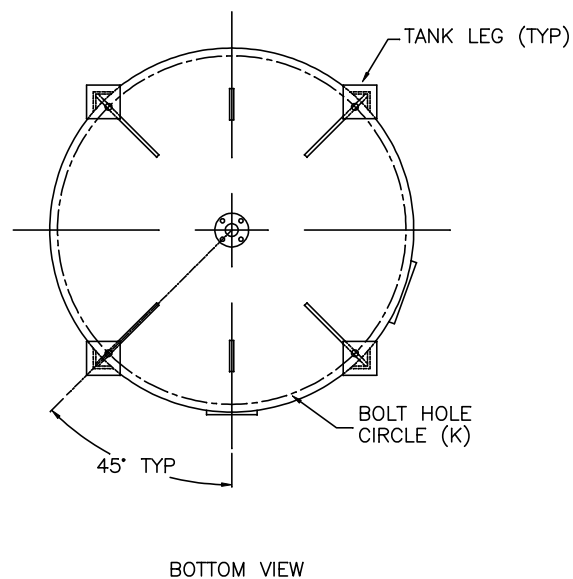
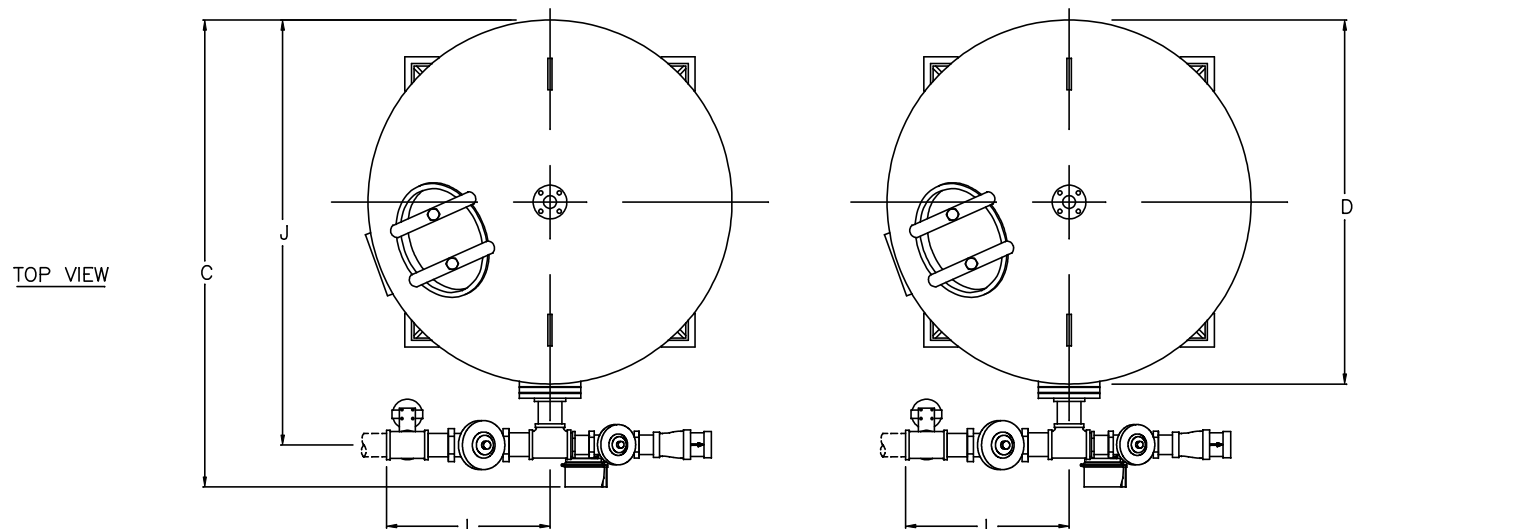
PRINT AND BILL OF MATERIAL ARE NOT TO BE USED WITHOUT THE WRITTEN CONSENT OF CULLIGAN INTERNATIONAL CO.

NAME HI-FLO @50 FILTERS (CARBON) MODELS HR-4825 TECHNICAL DATA SHEET		
DETAILED BY: KMR 7/16/03	APP. BY: KSR 01/11/10	SHEET 1 OF 1
REF. NO.	PART NO. F50_25_2_CARBON	

NOTES:

- (1) ITEMS SHOWN IN BROKEN LINES TO BE FURNISHED BY OTHERS.
- (2) ALL DIMENSIONS ARE ± 1 INCH (25mm) AND SUBJECT TO CHANGE WITHOUT NOTICE.
- (3) UNIONS SHOULD BE LOCATED ON INLET AND OUTLET CONNECTIONS OF CONTROL VALVE TO FACILITATE SERVICING.
- (4) THE USE OF DISSIMILAR METALS IN A PIPING SYSTEM IS NOT RECOMMENDED. WHERE DISSIMILAR METALS MUST BE CONNECTED IN A WATER SYSTEM, THE USE OF NONCONDUCTIVE (DIELECTRIC) FITTINGS MAY REDUCE GALVANIC CORROSION.
- (5) AN ELECTRICAL OUTLET SHOULD BE PROVIDED WITHIN FIVE FEET OF THE EQUIPMENT LOCATION.
- (6) ALLOW A MINIMUM OF 24 INCHES ABOVE SOFTENER FOR FILLING.
- (7) TO PERMIT THE OBSERVATION OF THE DRAIN FLOW DO NOT MAKE A DIRECT CONNECTION TO THE DRAIN. PROVIDE AN AIR GAP OF AT LEAST FOUR TIMES THE DIAMETER OF THE DRAIN PIPE OR CONFORM TO LOCAL SANITATION CODES.
- (8) ACCESS OPENINGS SHOWN ON TANK ARE FOR REFERENCE ONLY. QUANTITY, TYPE AND PLACEMENT ARE DEPENDENT ON TANK SIZE.

MODEL	DIMENSIONS (INCHES)													UNIT DATA PER TANK					
	WIDTH A	HEIGHT B	DEPTH C	TANK DIA. D	SIDE-SHELL E	INLET/OUTLET PIPE SIZES F	DRAIN SIZE G	FLOOR TO INLET H	FLOOR TO OUTLET I	BACK TO INLET/OUTLET J	BOLT HOLE CIRCLE K	INLET OFFSET L	OUTLET OFFSET M	TASTE, ODOR & ORGANICS REMOVAL FLOW gpm @ DP	DE-CHLORINATION FLOW gpm @ DP	DRAIN FLOW gpm	MIN. DRAIN PIPE SIZE IN.	DUPLEX OPER. WT. lbs.	DUPLEX SHIP. WT. lbs.
HR-543	122	96	70	54	60	3.0	3.0	75	29	62	51.7	24	15	95 @ 8	159 @ 18	160	3.0	19800	13000
HR-603	134	98	76	60	60	3.0	3.0	76	30	68	57.63	24	15	118 @ 2	196 @ 12	210	3.0	24400	16000

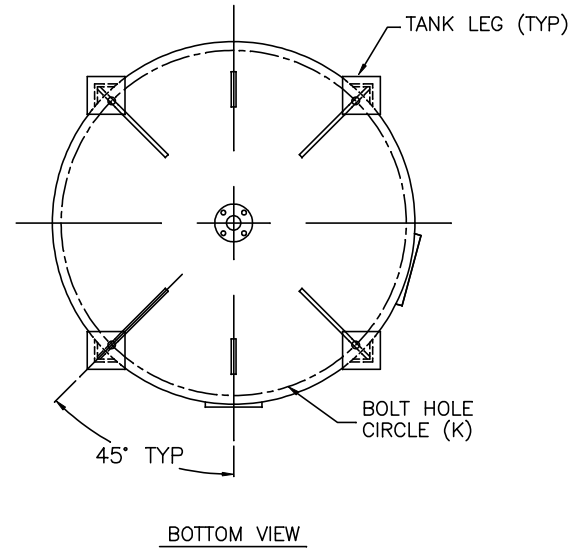
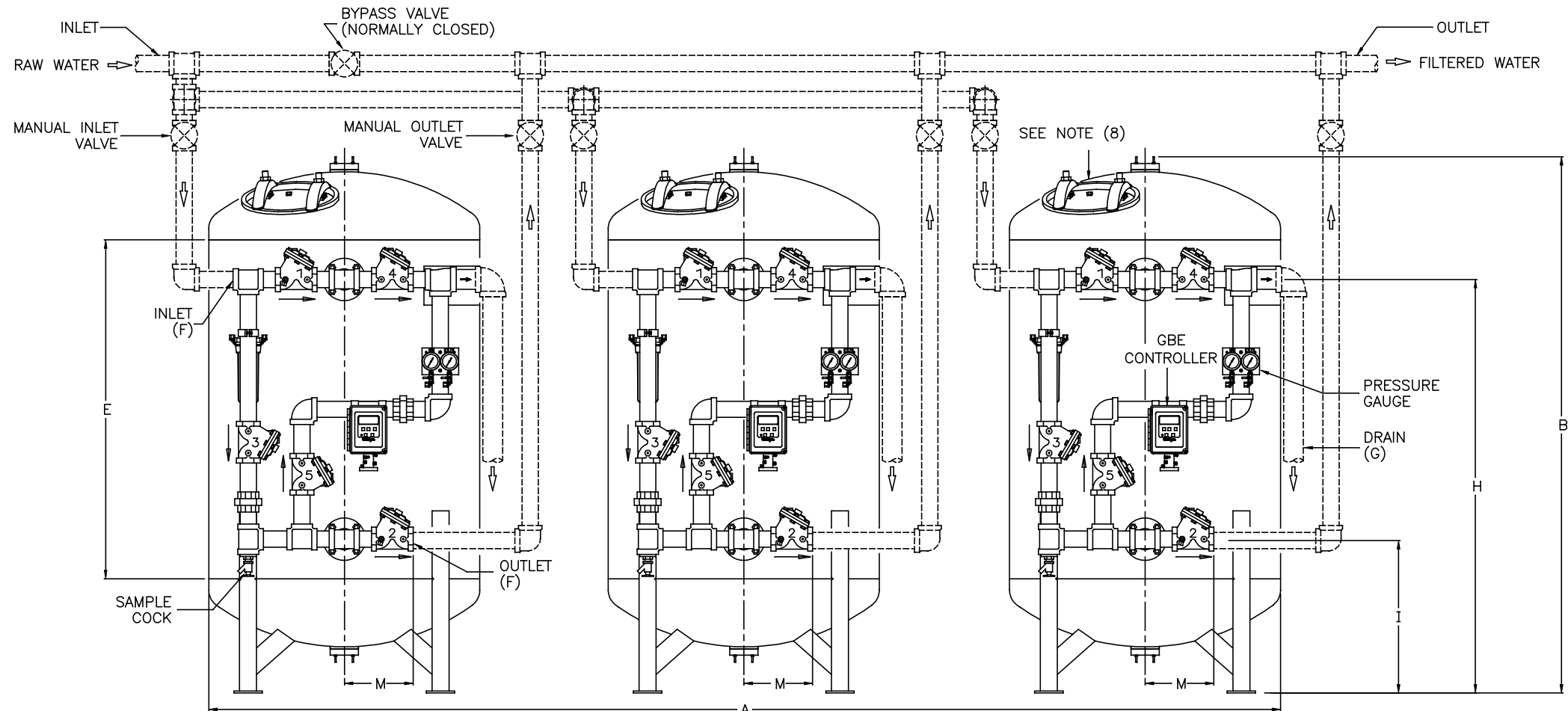
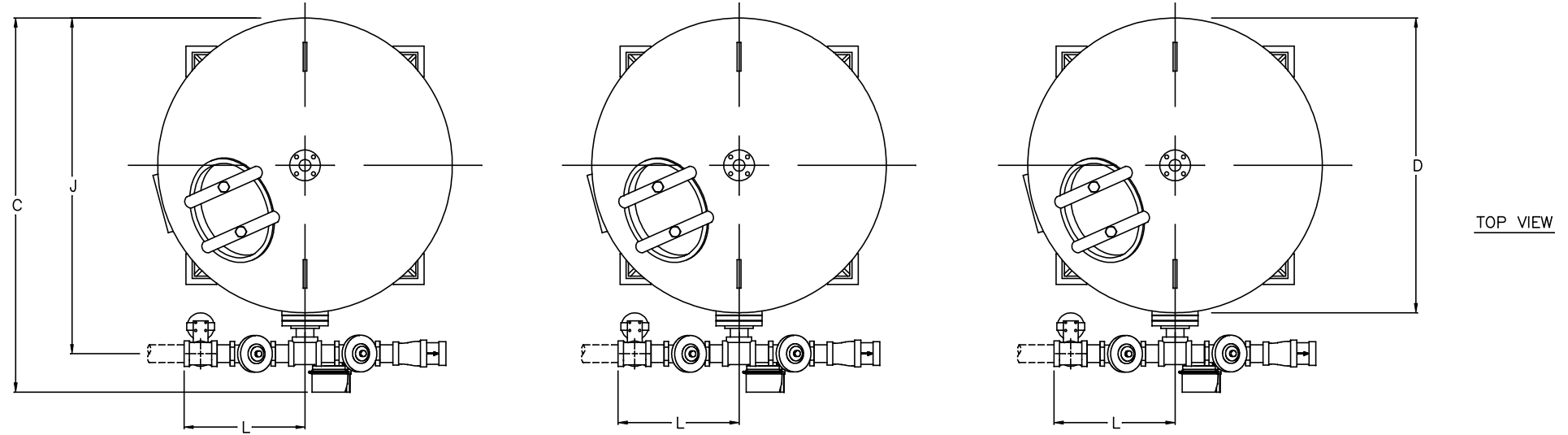


DO NOT SCALE DRAWING TOLERANCES: ±1/8" UNLESS OTHERWISE NOTED					ENGINEERED SYSTEMS ROSEMONT, ILLINOIS PRINT AND BILL OF MATERIAL ARE NOT TO BE USED WITHOUT THE WRITTEN CONSENT OF CULLIGAN INTERNATIONAL CO.	NAME HI-FLO @50 FILTERS (CARBON) MODELS HR-543, HR-603 TECHNICAL DATA SHEET		
Let.	Change	By	App	Date		DETAILED BY: KMR 12/03/03	APP. BY: KSR 01/11/10	SHEET 1 OF 1
						REF. NO.	PART NO. F50_3_2_CARBON	

NOTES:

- (1) ITEMS SHOWN IN BROKEN LINES TO BE FURNISHED BY OTHERS.
- (2) ALL DIMENSIONS ARE ± 1 INCH (25mm) AND SUBJECT TO CHANGE WITHOUT NOTICE.
- (3) UNIONS SHOULD BE LOCATED ON INLET AND OUTLET CONNECTIONS OF CONTROL VALVE TO FACILITATE SERVICING.
- (4) THE USE OF DISSIMILAR METALS IN A PIPING SYSTEM IS NOT RECOMMENDED. WHERE DISSIMILAR METALS MUST BE CONNECTED IN A WATER SYSTEM. THE USE OF NONCONDUCTIVE (DIELECTRIC) FITTINGS MAY REDUCE GALVANIC CORROSION.
- (5) AN ELECTRICAL OUTLET SHOULD BE PROVIDED WITHIN FIVE FEET OF THE EQUIPMENT LOCATION.
- (6) ALLOW A MINIMUM OF 24 INCHES ABOVE SOFTENER FOR FILLING.
- (7) TO PERMIT THE OBSERVATION OF THE DRAIN FLOW DO NOT MAKE A DIRECT CONNECTION TO THE DRAIN. PROVIDE AN AIR GAP OF AT LEAST FOUR TIMES THE DIAMETER OF THE DRAIN PIPE OR CONFORM TO LOCAL SANITATION CODES.
- (8) ACCESS OPENINGS SHOWN ON TANK ARE FOR REFERENCE ONLY. QUANTITY, TYPE AND PLACEMENT ARE DEPENDENT ON TANK SIZE.

MODEL	DIMENSIONS (INCHES)													UNIT DATA PER TANK					
	WIDTH A	HEIGHT B	DEPTH C	TANK DIA. D	SIDE-SHELL E	INLET/OUTLET PIPE SIZES F	DRAIN SIZE G	FLOOR TO INLET H	FLOOR TO OUTLET I	BACK TO INLET/OUTLET J	BOLT HOLE CIRCLE K	INLET OFFSET L	OUTLET OFFSET M	TASTE, ODOR & ORGANICS REMOVAL FLOW gpm @ DP	DE-CHLORINATION FLOW gpm @ DP	DRAIN FLOW gpm	MIN. DRAIN PIPE SIZE IN.	TRIPLEX OPER. WT. lbs.	TRIPLEX SHIP. WT. lbs.
HR-4825	171	93	64	48	60	2.5	3.0	73	27	57	45.7	20	12	63 @ 4	126 @ 15	136	3.0	23400	15600



TRIPLEX INSTALLATION

DO NOT SCALE DRAWING TOLERANCES: ±1/8" UNLESS OTHERWISE NOTED				
Let.	Change	By	App	Date

Culligan®
ENGINEERED SYSTEMS
 ROSEMONT, ILLINOIS

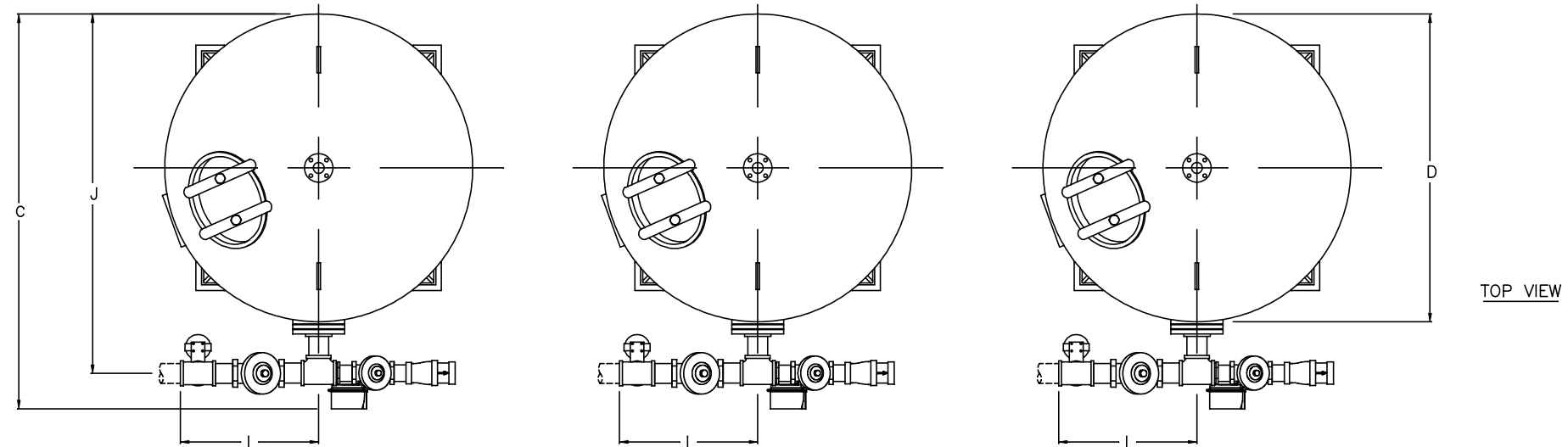
PRINT AND BILL OF MATERIAL ARE NOT TO BE USED WITHOUT THE WRITTEN CONSENT OF CULLIGAN INTERNATIONAL CO.

NAME HI-FLO @50 FILTERS (CARBON) MODELS HR-4825 TECHNICAL DATA SHEET		
DETAILED BY: KMR 7/16/03	APP. BY: KSR 01/11/10	SHEET 1 OF 1
REF. NO.	PART NO. F50_25_3_CARBON	

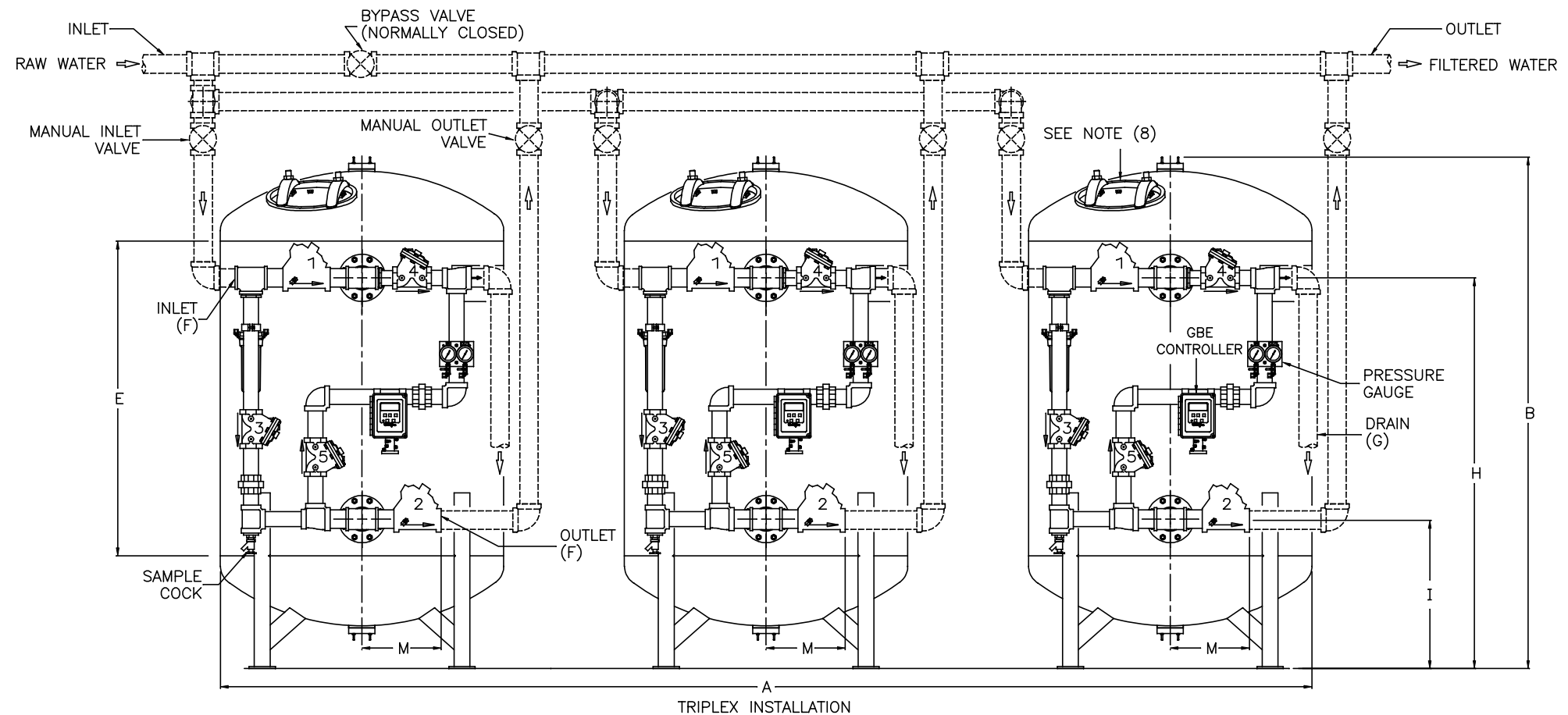
NOTES:

- (1) ITEMS SHOWN IN BROKEN LINES TO BE FURNISHED BY OTHERS.
- (2) ALL DIMENSIONS ARE ± 1 INCH (25mm) AND SUBJECT TO CHANGE WITHOUT NOTICE.
- (3) UNIONS SHOULD BE LOCATED ON INLET AND OUTLET CONNECTIONS OF CONTROL VALVE TO FACILITATE SERVICING.
- (4) THE USE OF DISSIMILAR METALS IN A PIPING SYSTEM IS NOT RECOMMENDED. WHERE DISSIMILAR METALS MUST BE CONNECTED IN A WATER SYSTEM. THE USE OF NONCONDUCTIVE (DIELECTRIC) FITTINGS MAY REDUCE GALVANIC CORROSION.
- (5) AN ELECTRICAL OUTLET SHOULD BE PROVIDED WITHIN FIVE FEET OF THE EQUIPMENT LOCATION.
- (6) ALLOW A MINIMUM OF 24 INCHES ABOVE SOFTENER FOR FILLING.
- (7) TO PERMIT THE OBSERVATION OF THE DRAIN FLOW DO NOT MAKE A DIRECT CONNECTION TO THE DRAIN. PROVIDE AN AIR GAP OF AT LEAST FOUR TIMES THE DIAMETER OF THE DRAIN PIPE OR CONFORM TO LOCAL SANITATION CODES.
- (8) ACCESS OPENINGS SHOWN ON TANK ARE FOR REFERENCE ONLY. QUANTITY, TYPE AND PLACEMENT ARE DEPENDENT ON TANK SIZE.

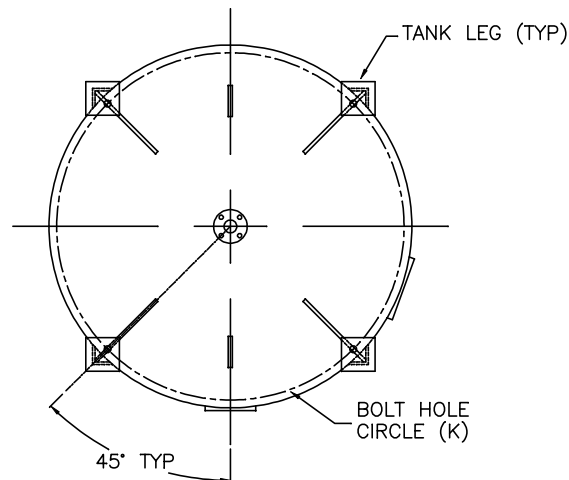
MODEL	DIMENSIONS (INCHES)													UNIT DATA PER TANK					
	WIDTH A	HEIGHT B	DEPTH C	TANK DIA. D	SIDE-SHELL E	INLET/OUTLET PIPE SIZES F	DRAIN SIZE G	FLOOR TO INLET H	FLOOR TO OUTLET I	BACK TO INLET/OUTLET J	BOLT HOLE CIRCLE K	INLET OFFSET L	OUTLET OFFSET M	TASTE, ODOR & ORGANICS REMOVAL FLOW gpm @ DP	DE-CHLORINATION FLOW gpm @ DP	DRAIN FLOW gpm	MIN. DRAIN PIPE SIZE IN.	TRIPLEX OPER. WT. lbs.	TRIPLEX SHIP. WT. lbs.
HR-543	189	96	70	54	60	3.0	3.0	75	29	62	51.7	24	15	95 @ 8	159 @ 18	160	3.0	29700	19500
HR-603	207	98	76	60	60	3.0	3.0	76	30	68	57.63	24	15	118 @ 2	196 @ 12	210	3.0	36600	24000



TOP VIEW



TRIPLEX INSTALLATION



BOTTOM VIEW

DO NOT SCALE DRAWING
TOLERANCES: ±1/8" UNLESS OTHERWISE NOTED

Let.	Change	By	App	Date

Culligan®
ENGINEERED SYSTEMS
ROSEMONT, ILLINOIS

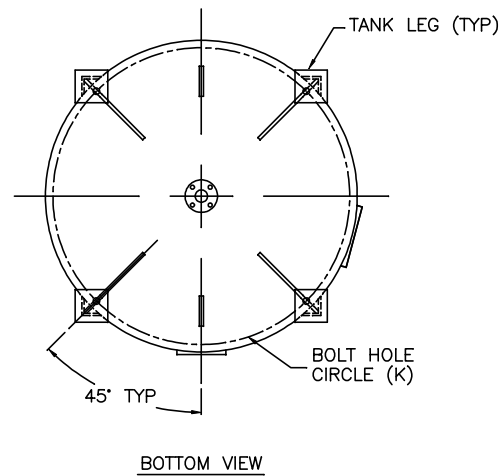
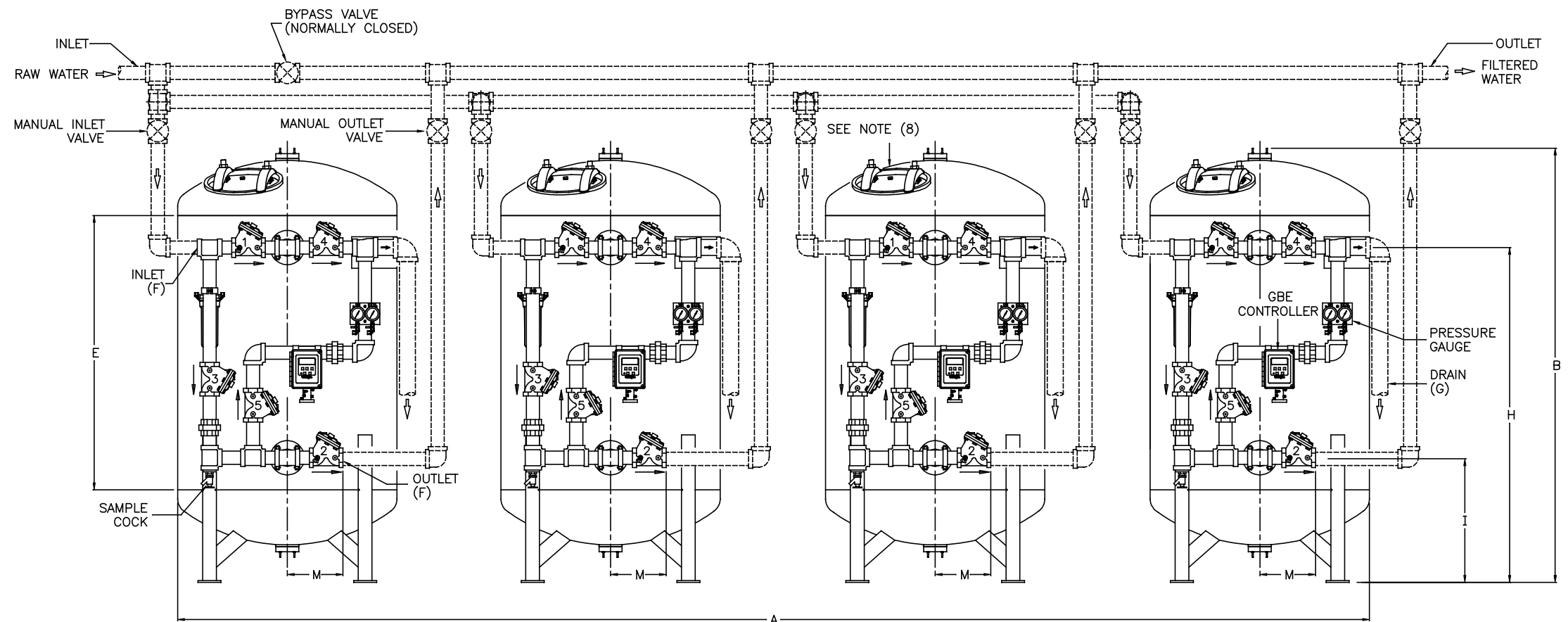
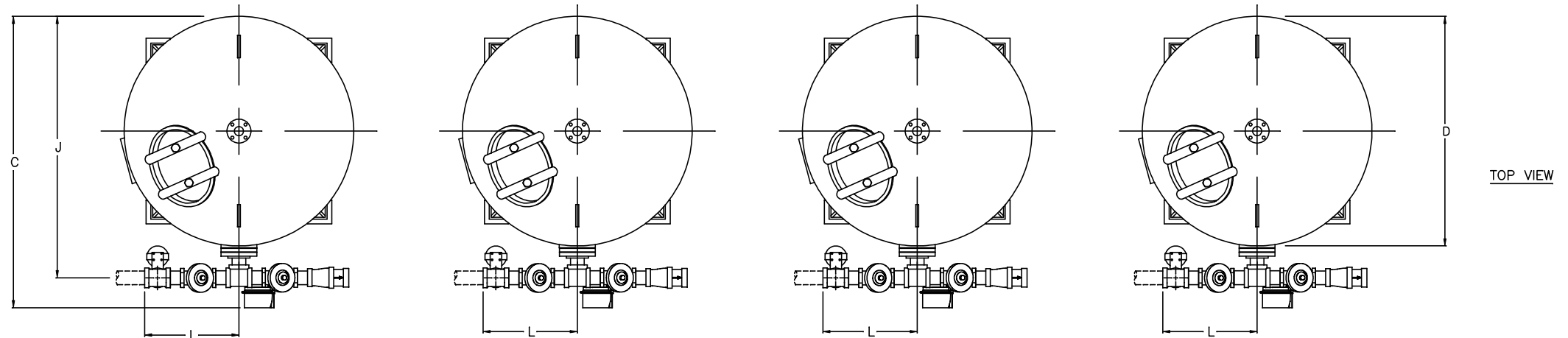
PRINT AND BILL OF MATERIAL ARE NOT TO BE USED WITHOUT THE WRITTEN CONSENT OF CULLIGAN INTERNATIONAL CO.

NAME HI-FLO @50 FILTERS (CARBON) MODELS HR-543, HR-603 TECHNICAL DATA SHEET		
DETAILED BY: KMR 12/03/03	APP. BY: KSR 01/11/10	SHEET 1 OF 1
REF. NO.	PART NO. F50_3_3_CARBON	

NOTES:

- (1) ITEMS SHOWN IN BROKEN LINES TO BE FURNISHED BY OTHERS.
- (2) ALL DIMENSIONS ARE ± 1 INCH (25mm) AND SUBJECT TO CHANGE WITHOUT NOTICE.
- (3) UNIONS SHOULD BE LOCATED ON INLET AND OUTLET CONNECTIONS OF CONTROL VALVE TO FACILITATE SERVICING.
- (4) THE USE OF DISSIMILAR METALS IN A PIPING SYSTEM IS NOT RECOMMENDED. WHERE DISSIMILAR METALS MUST BE CONNECTED IN A WATER SYSTEM. THE USE OF NONCONDUCTIVE (DIELECTRIC) FITTINGS MAY REDUCE GALVANIC CORROSION.
- (5) AN ELECTRICAL OUTLET SHOULD BE PROVIDED WITHIN FIVE FEET OF THE EQUIPMENT LOCATION.
- (6) ALLOW A MINIMUM OF 24 INCHES ABOVE SOFTENER FOR FILLING.
- (7) TO PERMIT THE OBSERVATION OF THE DRAIN FLOW DO NOT MAKE A DIRECT CONNECTION TO THE DRAIN. PROVIDE AN AIR GAP OF AT LEAST FOUR TIMES THE DIAMETER OF THE DRAIN PIPE OR CONFORM TO LOCAL SANITATION CODES.
- (8) ACCESS OPENINGS SHOWN ON TANK ARE FOR REFERENCE ONLY. QUANTITY, TYPE AND PLACEMENT ARE DEPENDENT ON TANK SIZE.

MODEL	DIMENSIONS (INCHES)													UNIT DATA PER TANK					
	WIDTH A	HEIGHT B	DEPTH C	TANK DIA. D	SIDE-SHELL E	INLET/OUTLET PIPE SIZES F	DRAIN SIZE G	FLOOR TO INLET H	FLOOR TO OUTLET I	BACK TO INLET/OUTLET J	BOLT HOLE CIRCLE K	INLET OFFSET L	OUTLET OFFSET M	TASTE, ODOR & ORGANICS REMOVAL FLOW gpm @ DP	DE-CHLORINATION FLOW gpm @ DP	DRAIN FLOW gpm	MIN. DRAIN PIPE SIZE IN.	QUAD OPER. WT. lbs.	QUAD SHIP. WT. lbs.
HR-4825	232	93	64	48	60	2.5	3.0	73	27	57	45.7	20	12	63 @ 4	126 @ 15	136	3.0	31200	20800



QUAD INSTALLATION

DO NOT SCALE DRAWING TOLERANCES: ±1/8" UNLESS OTHERWISE NOTED				
Let.	Change	By	App	Date

Culligan®
ENGINEERED SYSTEMS
 ROSEMONT, ILLINOIS

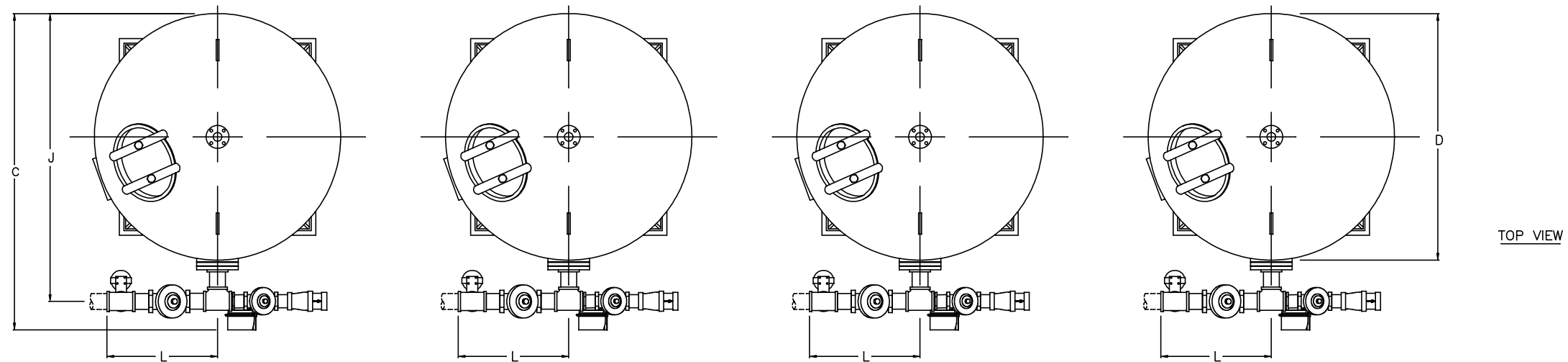
PRINT AND BILL OF MATERIAL ARE NOT TO BE USED WITHOUT THE WRITTEN CONSENT OF CULLIGAN INTERNATIONAL CO.

NAME HI-FLO @ 50 FILTERS (CARBON) MODELS HR-4825 TECHNICAL DATA SHEET		
DETAILED BY: KMR 7/16/03	APP. BY: KSR 01/11/10	SHEET 1 OF 1
REF. NO.	PART NO. F50_25_4_CARBON	

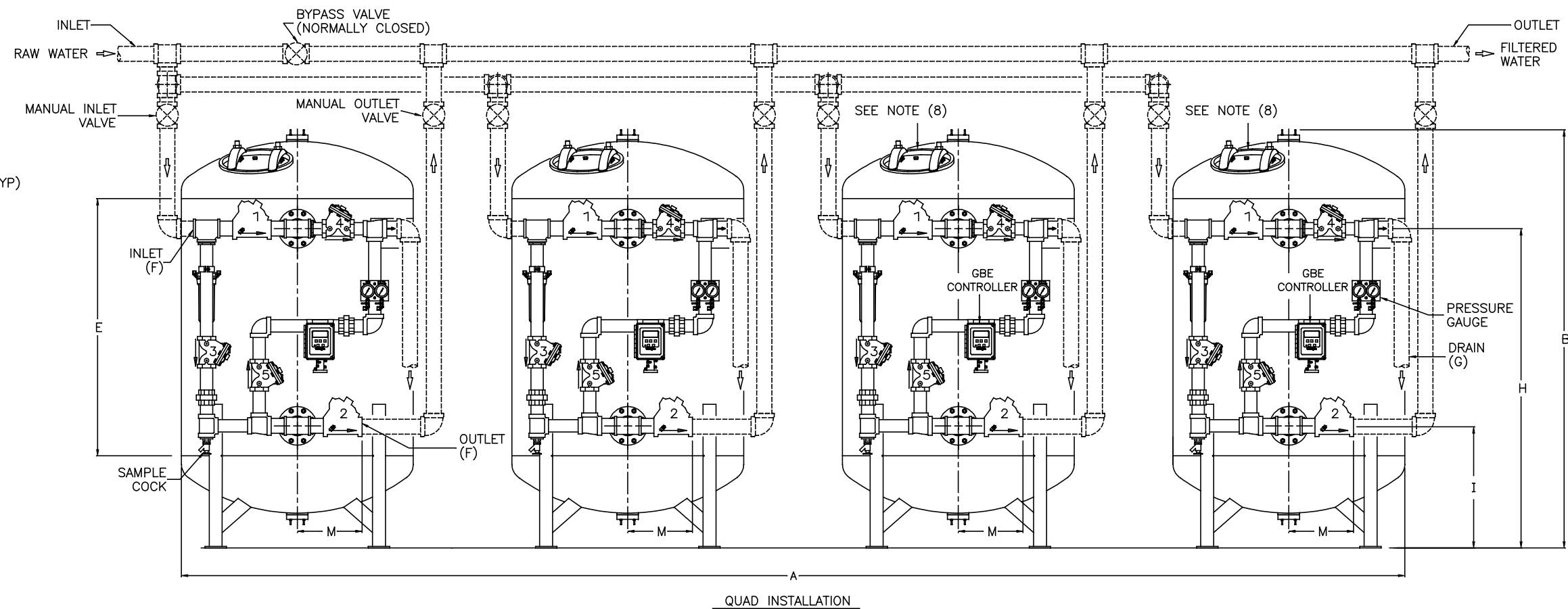
NOTES:

- (1) ITEMS SHOWN IN BROKEN LINES TO BE FURNISHED BY OTHERS.
- (2) ALL DIMENSIONS ARE ± 1 INCH (25mm) AND SUBJECT TO CHANGE WITHOUT NOTICE.
- (3) UNIONS SHOULD BE LOCATED ON INLET AND OUTLET CONNECTIONS OF CONTROL VALVE TO FACILITATE SERVICING.
- (4) THE USE OF DISSIMILAR METALS IN A PIPING SYSTEM IS NOT RECOMMENDED. WHERE DISSIMILAR METALS MUST BE CONNECTED IN A WATER SYSTEM. THE USE OF NONCONDUCTIVE (DIELECTRIC) FITTINGS MAY REDUCE GALVANIC CORROSION.
- (5) AN ELECTRICAL OUTLET SHOULD BE PROVIDED WITHIN FIVE FEET OF THE EQUIPMENT LOCATION.
- (6) ALLOW A MINIMUM OF 24 INCHES ABOVE SOFTENER FOR FILLING.
- (7) TO PERMIT THE OBSERVATION OF THE DRAIN FLOW DO NOT MAKE A DIRECT CONNECTION TO THE DRAIN. PROVIDE AN AIR GAP OF AT LEAST FOUR TIMES THE DIAMETER OF THE DRAIN PIPE OR CONFORM TO LOCAL SANITATION CODES.
- (8) ACCESS OPENINGS SHOWN ON TANK ARE FOR REFERENCE ONLY. QUANTITY, TYPE AND PLACEMENT ARE DEPENDENT ON TANK SIZE.

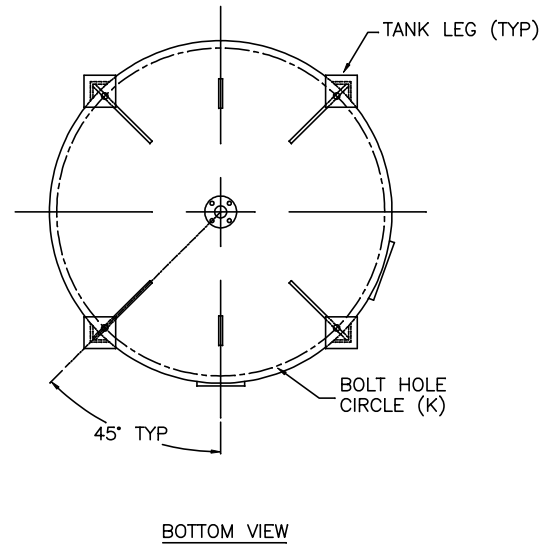
MODEL	DIMENSIONS (INCHES)													UNIT DATA PER TANK					
	WIDTH A	HEIGHT B	DEPTH C	TANK DIA. D	SIDE-SHELL E	INLET/OUTLET PIPE SIZES F	DRAIN SIZE G	FLOOR TO INLET H	FLOOR TO OUTLET I	BACK TO INLET/OUTLET J	BOLT HOLE CIRCLE K	INLET OFFSET L	OUTLET OFFSET M	TASTE, ODOR & ORGANICS REMOVAL FLOW gpm @ DP	DE-CHLORINATION FLOW gpm @ DP	DRAIN FLOW gpm	MIN. DRAIN PIPE SIZE IN.	QUAD OPER. WT. lbs.	QUAD SHIP. WT. lbs.
HR-543	256	96	70	54	60	3.0	3.0	75	29	62	51.7	24	15	95 @ 8	159 @ 18	160	3.0	39600	26000
HR-603	280	98	76	60	60	3.0	3.0	76	30	68	57.63	24	15	118 @ 2	196 @ 12	210	3.0	48800	32000



TOP VIEW



QUAD INSTALLATION



BOTTOM VIEW

DO NOT SCALE DRAWING TOLERANCES: ±1/8" UNLESS OTHERWISE NOTED				
Let.	Change	By	App	Date

Culligan®
ENGINEERED SYSTEMS
 ROSEMONT, ILLINOIS

PRINT AND BILL OF MATERIAL ARE NOT TO BE USED WITHOUT THE WRITTEN CONSENT OF CULLIGAN INTERNATIONAL CO.

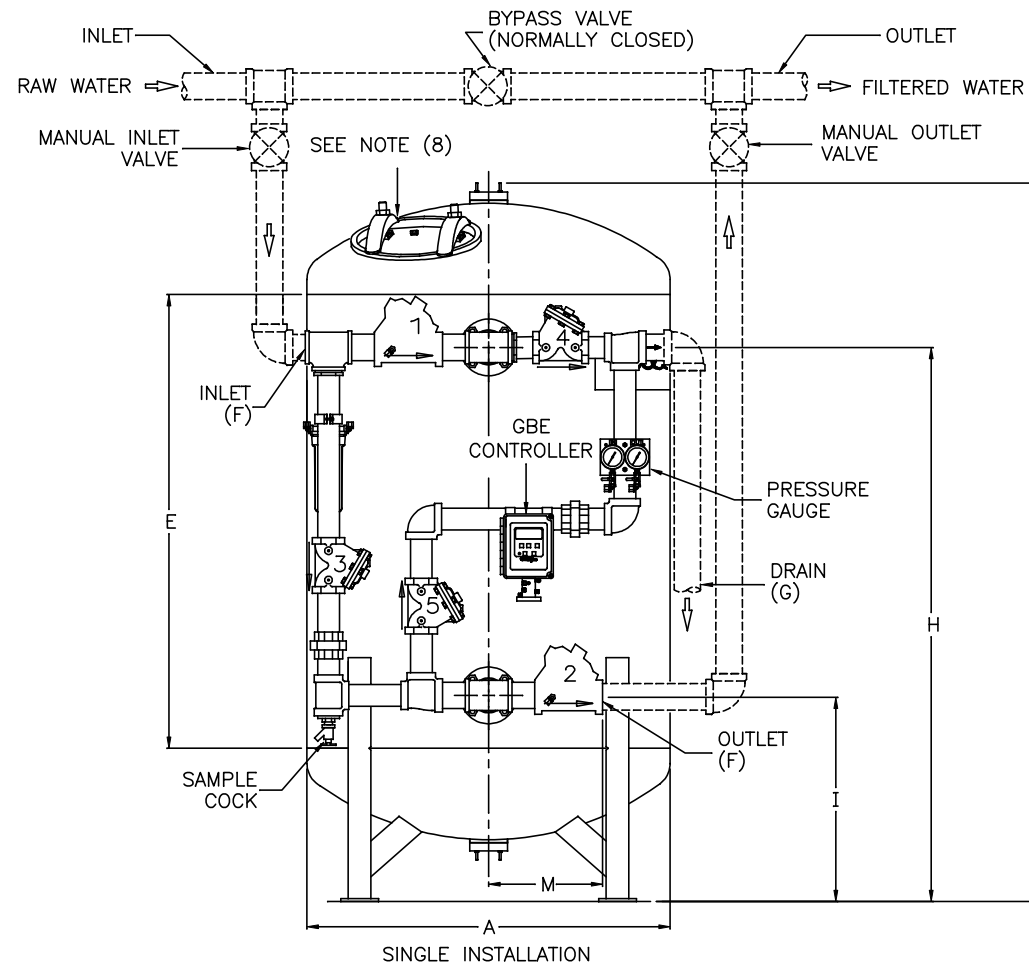
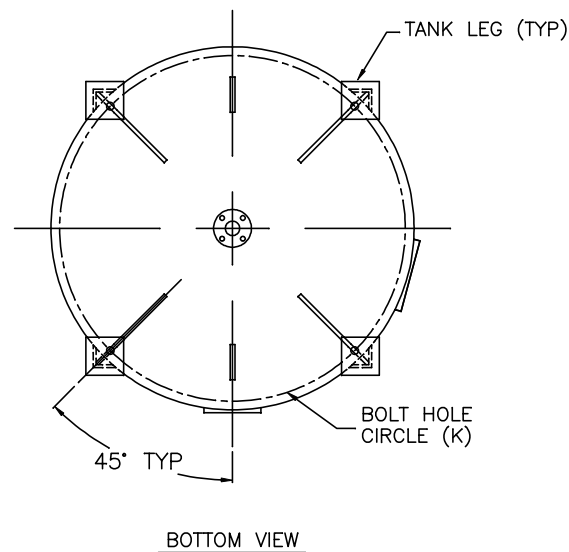
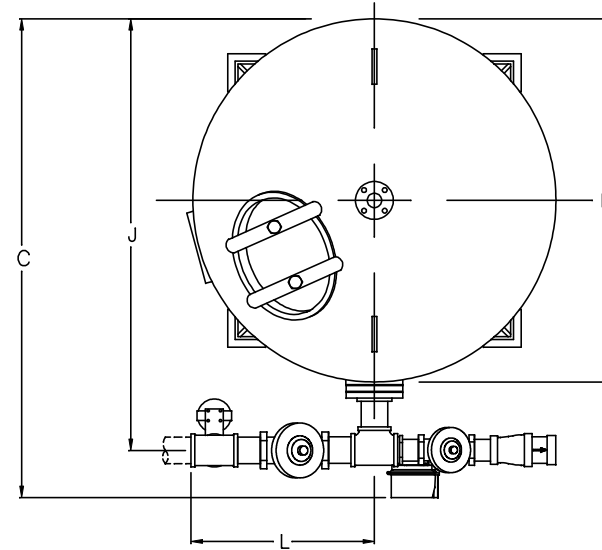
NAME HI-FLO @50 FILTERS (CARBON) MODELS HR-543, HR-603 TECHNICAL DATA SHEET		
DETAILED BY: KMR 12/03/03	APP. BY: KSR 01/11/10	SHEET 1 OF 1
REF. NO.	PART NO. F50_3_4_CARBON	

NOTES:

- (1) ITEMS SHOWN IN BROKEN LINES TO BE FURNISHED BY OTHERS.
- (2) ALL DIMENSIONS ARE ± 1 INCH (25mm) AND SUBJECT TO CHANGE WITHOUT NOTICE.
- (3) UNIONS SHOULD BE LOCATED ON INLET AND OUTLET CONNECTIONS OF CONTROL VALVE TO FACILITATE SERVICING.
- (4) THE USE OF DISSIMILAR METALS IN A PIPING SYSTEM IS NOT RECOMMENDED. WHERE DISSIMILAR METALS MUST BE CONNECTED IN A WATER SYSTEM. THE USE OF NONCONDUCTIVE (DIELECTRIC) FITTINGS MAY REDUCE GALVANIC CORROSION.
- (5) AN ELECTRICAL OUTLET SHOULD BE PROVIDED WITHIN FIVE FEET OF THE EQUIPMENT LOCATION.
- (6) ALLOW A MINIMUM OF 24 INCHES ABOVE SOFTENER FOR FILLING.
- (7) TO PERMIT THE OBSERVATION OF THE DRAIN FLOW DO NOT MAKE A DIRECT CONNECTION TO THE DRAIN. PROVIDE AN AIR GAP OF AT LEAST FOUR TIMES THE DIAMETER OF THE DRAIN PIPE OR CONFORM TO LOCAL SANITATION CODES.
- (8) ACCESS OPENINGS SHOWN ON TANK ARE FOR REFERENCE ONLY. QUANTITY, TYPE AND PLACEMENT ARE DEPENDENT ON TANK SIZE.

MODEL	DIMENSIONS (INCHES)														NORMAL FLOW gpm @ DP	PEAK FLOW gpm @ DP	DRAIN FLOW gpm	MIN. DRAIN PIPE SIZE IN.	SIMPLEX OPER. WT. lbs.	SIMPLEX SHIP. WT. lbs.
	WIDTH A	HEIGHT B	DEPTH C	TANK DIA. D	SIDE-SHELL E	INLET/OUTLET PIPE SIZES F	DRAIN SIZE G	FLOOR TO INLET H	FLOOR TO OUTLET I	BACK TO INLET/OUTLET J	BOLT HOLE CIRCLE K	INLET OFFSET L	OUTLET OFFSET M							
HD-483	49	93	65	48	60	3.0	3.0	73	27	57	45.7	24	15	126 @ 5	189 @ 10	188	3.0	9500	7000	

TOP VIEW



DO NOT SCALE DRAWING TOLERANCES: $\pm 1/8$ " UNLESS OTHERWISE NOTED				
Let.	Change	By	App	Date

Culligan®
ENGINEERED SYSTEMS
ROSEMONT, ILLINOIS

PRINT AND BILL OF MATERIAL ARE NOT TO BE USED WITHOUT THE WRITTEN CONSENT OF CULLIGAN INTERNATIONAL CO.

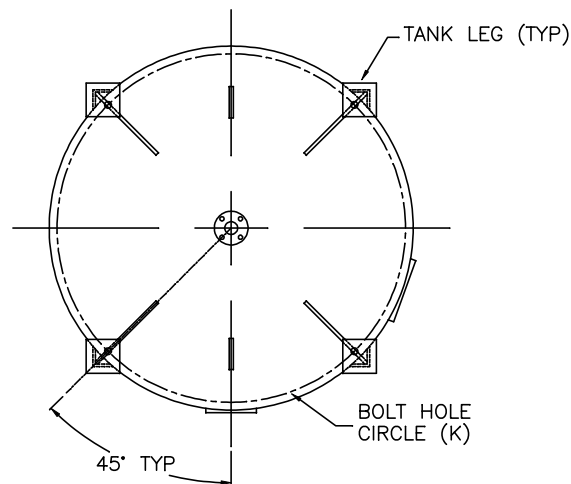
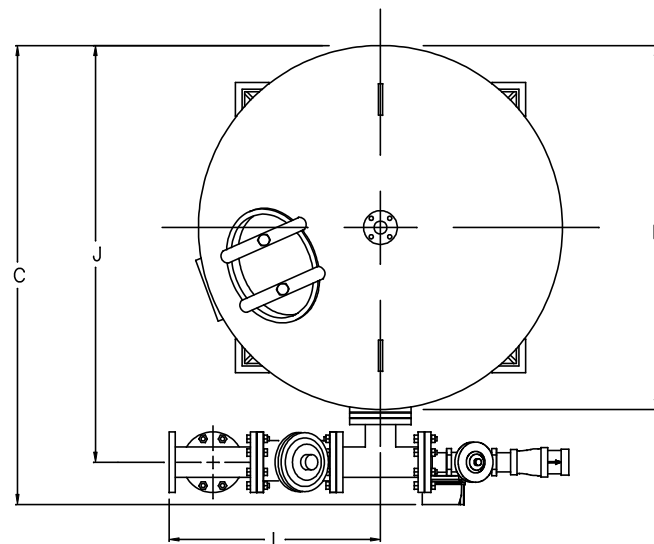
NAME HI-FLO® 50 FILTERS (DEPTH) MODELS HD-483 TECHNICAL DATA SHEET		
DETAILED BY: KMR 7/29/03	APP. BY: KSR 01/11/10	SHEET 1 OF 1
REF. NO.	PART NO. F50_3_1_DEPTH	

NOTES:

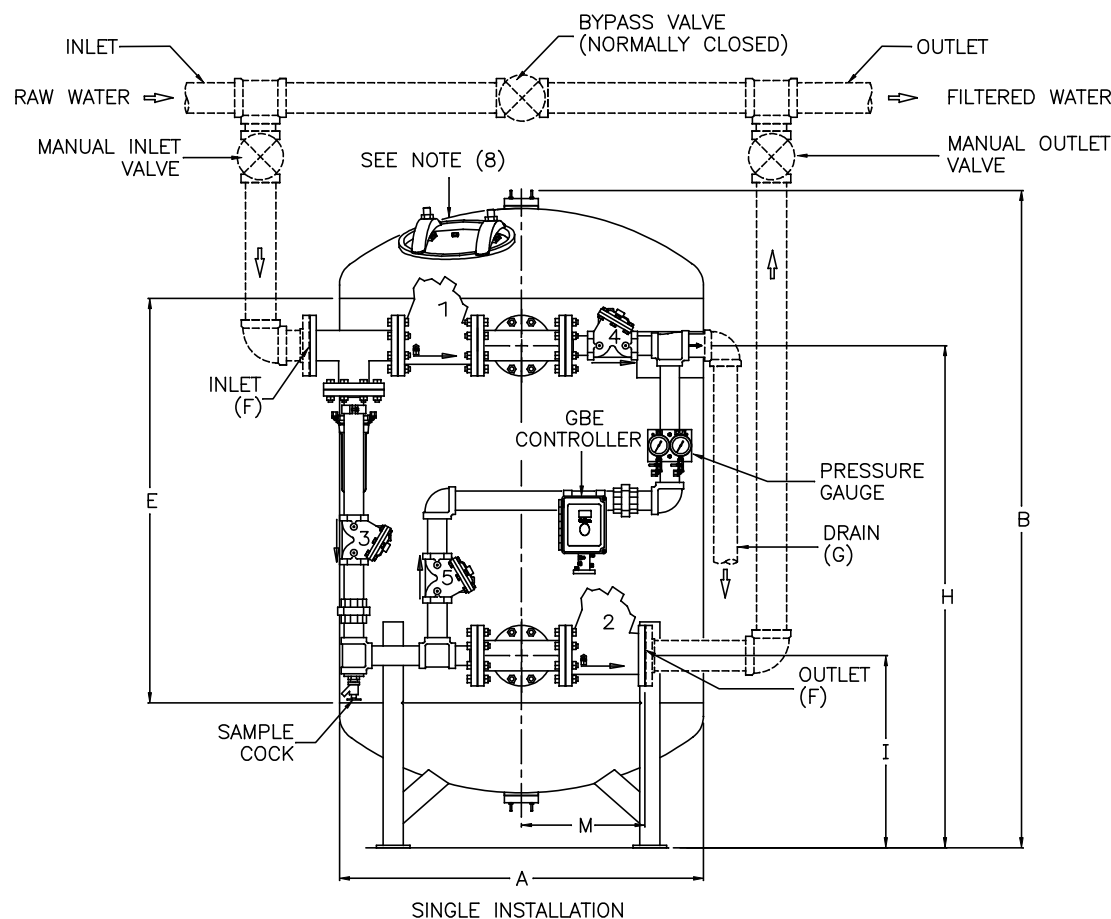
- (1) ITEMS SHOWN IN BROKEN LINES TO BE FURNISHED BY OTHERS.
- (2) ALL DIMENSIONS ARE ± 1 INCH (25mm) AND SUBJECT TO CHANGE WITHOUT NOTICE.
- (3) UNIONS SHOULD BE LOCATED ON INLET AND OUTLET CONNECTIONS OF CONTROL VALVE TO FACILITATE SERVICING.
- (4) THE USE OF DISSIMILAR METALS IN A PIPING SYSTEM IS NOT RECOMMENDED. WHERE DISSIMILAR METALS MUST BE CONNECTED IN A WATER SYSTEM. THE USE OF NONCONDUCTIVE (DIELECTRIC) FITTINGS MAY REDUCE GALVANIC CORROSION.
- (5) AN ELECTRICAL OUTLET SHOULD BE PROVIDED WITHIN FIVE FEET OF THE EQUIPMENT LOCATION.
- (6) ALLOW A MINIMUM OF 24 INCHES ABOVE SOFTENER FOR FILLING.
- (7) TO PERMIT THE OBSERVATION OF THE DRAIN FLOW DO NOT MAKE A DIRECT CONNECTION TO THE DRAIN. PROVIDE AN AIR GAP OF AT LEAST FOUR TIMES THE DIAMETER OF THE DRAIN PIPE OR CONFORM TO LOCAL SANITATION CODES.
- (8) ACCESS OPENINGS SHOWN ON TANK ARE FOR REFERENCE ONLY. QUANTITY, TYPE AND PLACEMENT ARE DEPENDENT ON TANK SIZE.

MODEL	DIMENSIONS (INCHES)														NORMAL FLOW gpm @ DP	PEAK FLOW gpm @ DP	DRAIN FLOW gpm	MIN. DRAIN PIPE SIZE IN.	SIMPLEX OPER. WT. lbs.	SIMPLEX SHIP. WT. lbs.
	WIDTH A	HEIGHT B	DEPTH C	TANK DIA. D	SIDE-SHELL E	INLET/OUTLET PIPE SIZES F	DRAIN SIZE G	FLOOR TO INLET H	FLOOR TO OUTLET I	BACK TO INLET/OUTLET J	BOLT HOLE CIRCLE K	INLET OFFSET L	OUTLET OFFSET M							
HD-544	55	96	72	54	60	4.0	3.0	75	29	62	51.7	32	18	159 @ 5	239 @ 8	210	3.0	12000	8800	
HD-604	61	98	78	60	60	4.0	3.0	76	30	68	57.63	32	18	196 @ 4	295 @ 10	270	4.0	15000	10800	

TOP VIEW



BOTTOM VIEW



SINGLE INSTALLATION

DO NOT SCALE DRAWING TOLERANCES: ±1/8" UNLESS OTHERWISE NOTED				
Let.	Change	By	App	Date

Culligan®
ENGINEERED SYSTEMS
 ROSEMONT, ILLINOIS

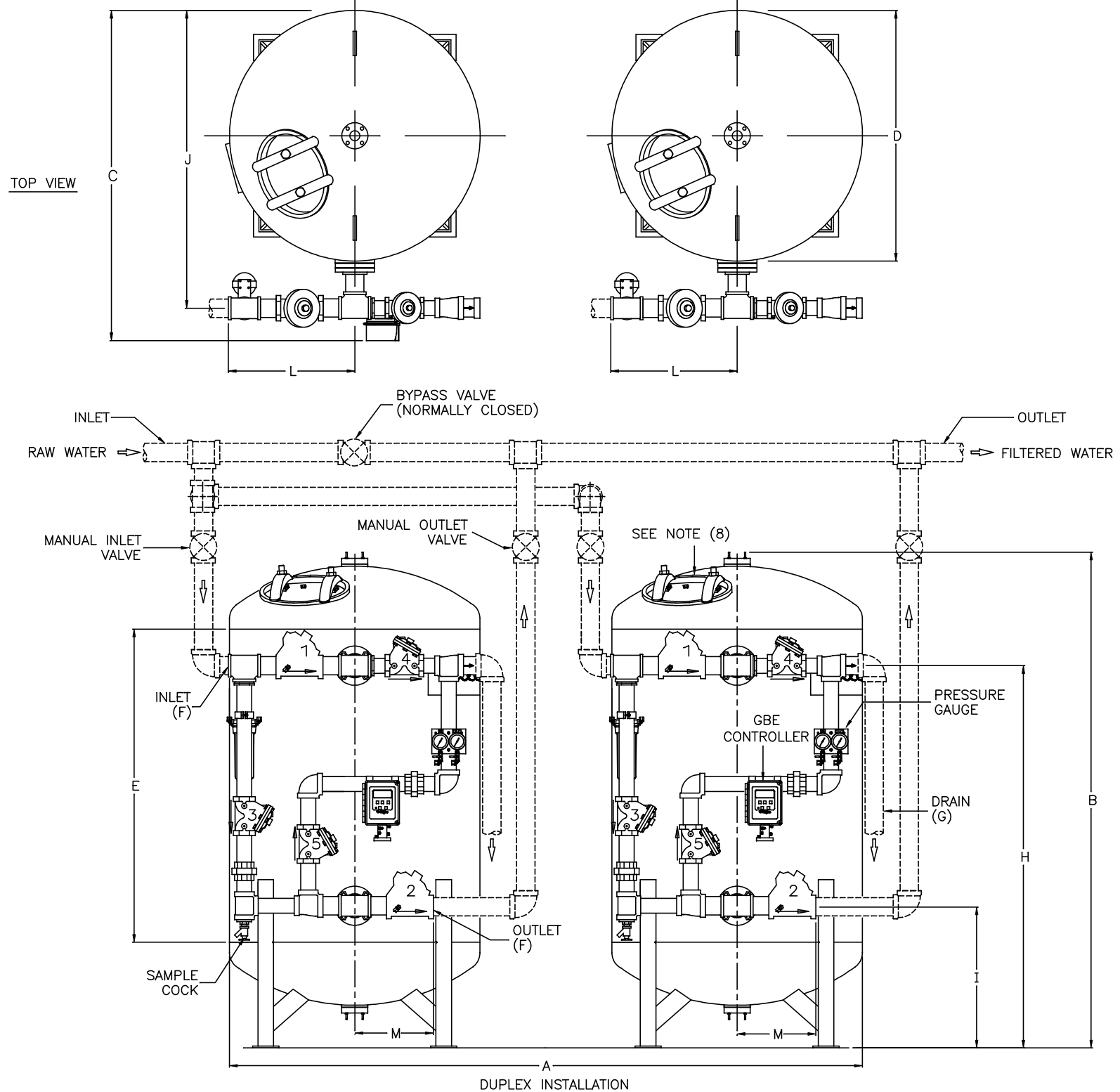
PRINT AND BILL OF MATERIAL ARE NOT TO BE USED WITHOUT THE WRITTEN CONSENT OF CULLIGAN INTERNATIONAL CO.

NAME HI-FLO® 50 FILTERS (DEPTH) MODELS HD-544, HD-604 TECHNICAL DATA SHEET		
DETAILED BY: KMR 7/29/03	APP. BY: KSR 01/11/10	SHEET 1 OF 1
REF. NO.	PART NO. F50_4_1_DEPTH	

NOTES:

- (1) ITEMS SHOWN IN BROKEN LINES TO BE FURNISHED BY OTHERS.
- (2) ALL DIMENSIONS ARE ± 1 INCH (25mm) AND SUBJECT TO CHANGE WITHOUT NOTICE.
- (3) UNIONS SHOULD BE LOCATED ON INLET AND OUTLET CONNECTIONS OF CONTROL VALVE TO FACILITATE SERVICING.
- (4) THE USE OF DISSIMILAR METALS IN A PIPING SYSTEM IS NOT RECOMMENDED. WHERE DISSIMILAR METALS MUST BE CONNECTED IN A WATER SYSTEM. THE USE OF NONCONDUCTIVE (DIELECTRIC) FITTINGS MAY REDUCE GALVANIC CORROSION.
- (5) AN ELECTRICAL OUTLET SHOULD BE PROVIDED WITHIN FIVE FEET OF THE EQUIPMENT LOCATION.
- (6) ALLOW A MINIMUM OF 24 INCHES ABOVE SOFTENER FOR FILLING.
- (7) TO PERMIT THE OBSERVATION OF THE DRAIN FLOW DO NOT MAKE A DIRECT CONNECTION TO THE DRAIN. PROVIDE AN AIR GAP OF AT LEAST FOUR TIMES THE DIAMETER OF THE DRAIN PIPE OR CONFORM TO LOCAL SANITATION CODES.
- (8) ACCESS OPENINGS SHOWN ON TANK ARE FOR REFERENCE ONLY. QUANTITY, TYPE AND PLACEMENT ARE DEPENDENT ON TANK SIZE.

MODEL	DIMENSIONS (INCHES)													UNIT DATA PER TANK					
	WIDTH A	HEIGHT B	DEPTH C	TANK DIA. D	SIDE-SHELL E	INLET/OUTLET PIPE SIZES F	DRAIN SIZE G	FLOOR TO INLET H	FLOOR TO OUTLET I	BACK TO INLET/OUTLET J	BOLT HOLE CIRCLE K	INLET OFFSET L	OUTLET OFFSET M	NORMAL FLOW gpm @ DP	PEAK FLOW gpm @ DP	DRAIN FLOW gpm	MIN. DRAIN PIPE SIZE IN.	DUPLEX OPER. WT. lbs.	DUPLEX SHIP. WT. lbs.
HD-483	110	93	65	48	60	3.0	3.0	73	27	57	45.7	24	15	126 @ 5	189 @ 10	188	3.0	19000	14000



DO NOT SCALE DRAWING TOLERANCES: ±1/8" UNLESS OTHERWISE NOTED				
Let.	Change	By	App	Date

Culligan®
ENGINEERED SYSTEMS
 ROSEMONT, ILLINOIS

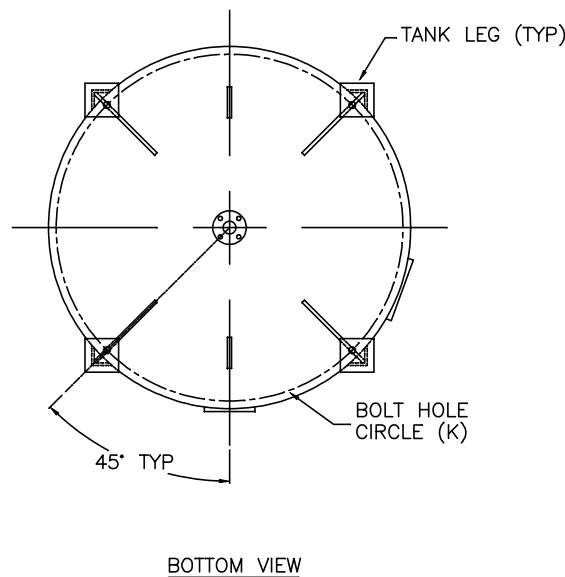
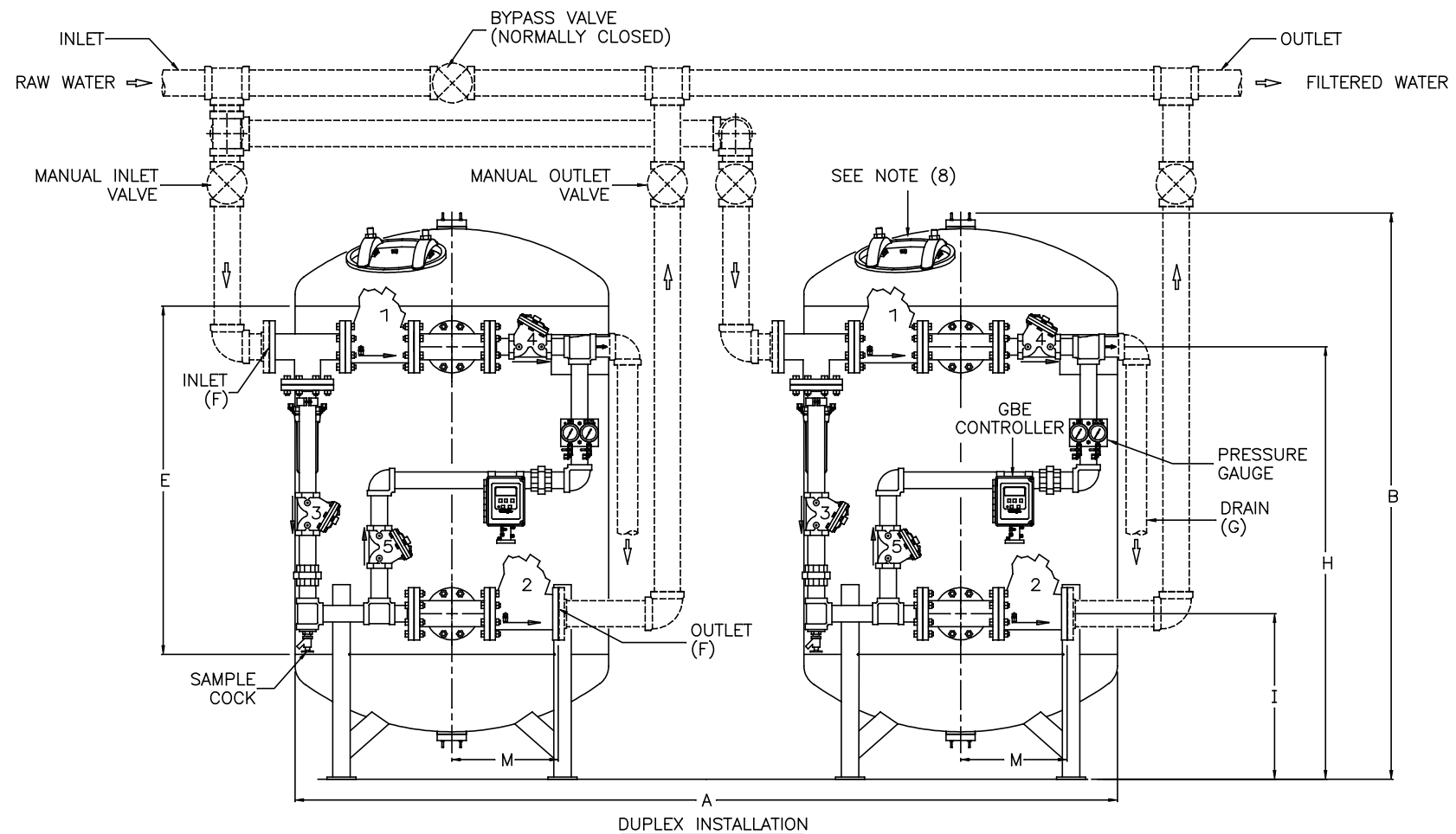
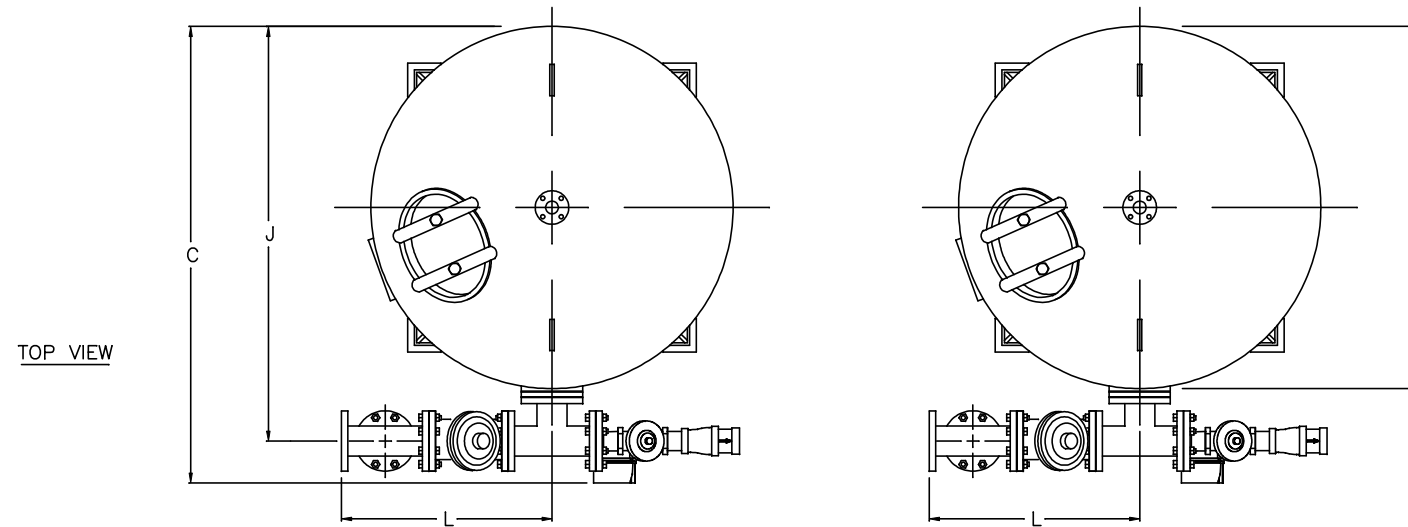
PRINT AND BILL OF MATERIAL ARE NOT TO BE USED WITHOUT THE WRITTEN CONSENT OF CULLIGAN INTERNATIONAL CO.

NAME HI-FLO® 50 FILTERS (DEPTH) MODELS HD-483 TECHNICAL DATA SHEET		
DETAILED BY: KMR 7/29/03	APP. BY: KSR 01/11/10	SHEET 1 OF 1
REF. NO.	PART NO. F50_3_2_DEPTH	

NOTES:

- (1) ITEMS SHOWN IN BROKEN LINES TO BE FURNISHED BY OTHERS.
- (2) ALL DIMENSIONS ARE ± 1 INCH (25mm) AND SUBJECT TO CHANGE WITHOUT NOTICE.
- (3) UNIONS SHOULD BE LOCATED ON INLET AND OUTLET CONNECTIONS OF CONTROL VALVE TO FACILITATE SERVICING.
- (4) THE USE OF DISSIMILAR METALS IN A PIPING SYSTEM IS NOT RECOMMENDED. WHERE DISSIMILAR METALS MUST BE CONNECTED IN A WATER SYSTEM. THE USE OF NONCONDUCTIVE (DIELECTRIC) FITTINGS MAY REDUCE GALVANIC CORROSION.
- (5) AN ELECTRICAL OUTLET SHOULD BE PROVIDED WITHIN FIVE FEET OF THE EQUIPMENT LOCATION.
- (6) ALLOW A MINIMUM OF 24 INCHES ABOVE SOFTENER FOR FILLING.
- (7) TO PERMIT THE OBSERVATION OF THE DRAIN FLOW DO NOT MAKE A DIRECT CONNECTION TO THE DRAIN. PROVIDE AN AIR GAP OF AT LEAST FOUR TIMES THE DIAMETER OF THE DRAIN PIPE OR CONFORM TO LOCAL SANITATION CODES.
- (8) ACCESS OPENINGS SHOWN ON TANK ARE FOR REFERENCE ONLY. QUANTITY, TYPE AND PLACEMENT ARE DEPENDENT ON TANK SIZE.

MODEL	DIMENSIONS (INCHES)													UNIT DATA PER TANK					
	WIDTH A	HEIGHT B	DEPTH C	TANK DIA. D	SIDE-SHELL E	INLET/OUTLET PIPE SIZES F	DRAIN SIZE G	FLOOR TO INLET H	FLOOR TO OUTLET I	BACK TO INLET/OUTLET J	BOLT HOLE CIRCLE K	INLET OFFSET L	OUTLET OFFSET M	NORMAL FLOW gpm @ DP	PEAK FLOW gpm @ DP	DRAIN FLOW gpm	MIN. DRAIN PIPE SIZE IN.	DUPLEX OPER. WT. lbs.	DUPLEX SHIP. WT. lbs.
HD-544	122	96	72	54	60	4.0	3.0	75	29	62	51.7	32	18	159 @ 5	239 @ 8	210	3.0	24000	17600
HD-604	134	98	78	60	60	4.0	3.0	76	30	68	57.63	32	18	196 @ 4	295 @ 10	270	4.0	30000	21600



DO NOT SCALE DRAWING
TOLERANCES: ±1/8" UNLESS OTHERWISE NOTED

Let.	Change	By	App	Date

Culligan®
ENGINEERED SYSTEMS
ROSEMONT, ILLINOIS

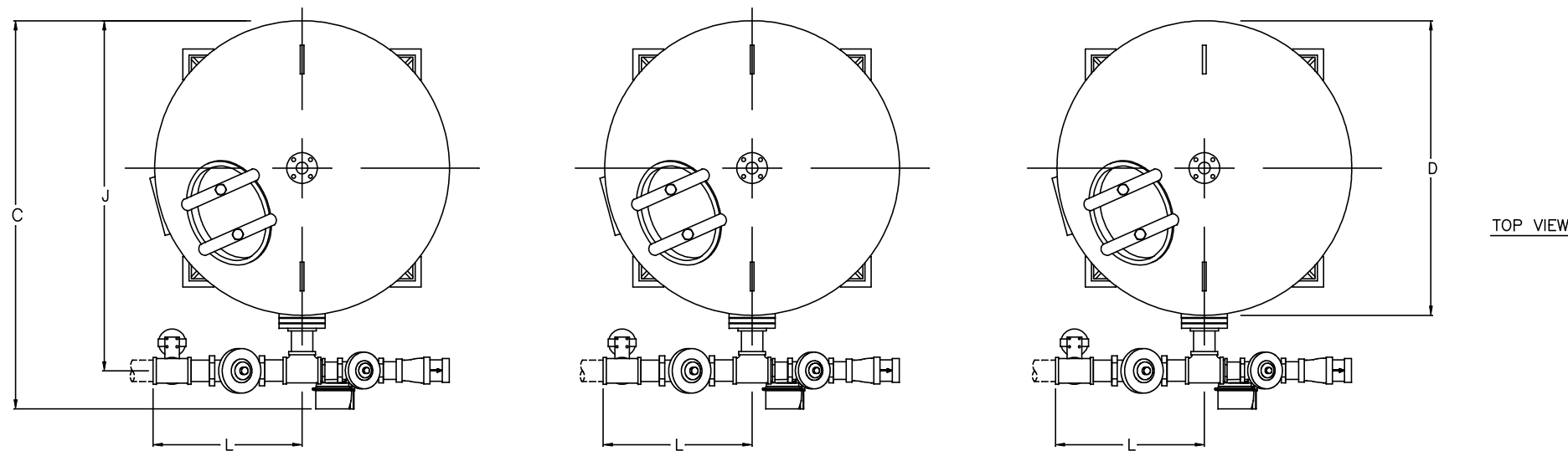
PRINT AND BILL OF MATERIAL ARE NOT TO BE USED WITHOUT THE WRITTEN CONSENT OF CULLIGAN INTERNATIONAL CO.

NAME HI-FLO® 50 FILTERS (DEPTH) MODELS HD-544, HD-604 TECHNICAL DATA SHEET		
DETAILED BY: KMR 7/29/03	APP. BY: KSR 01/11/10	SHEET 1 OF 1
REF. NO.	PART NO. F50_4_2_DEPTH	

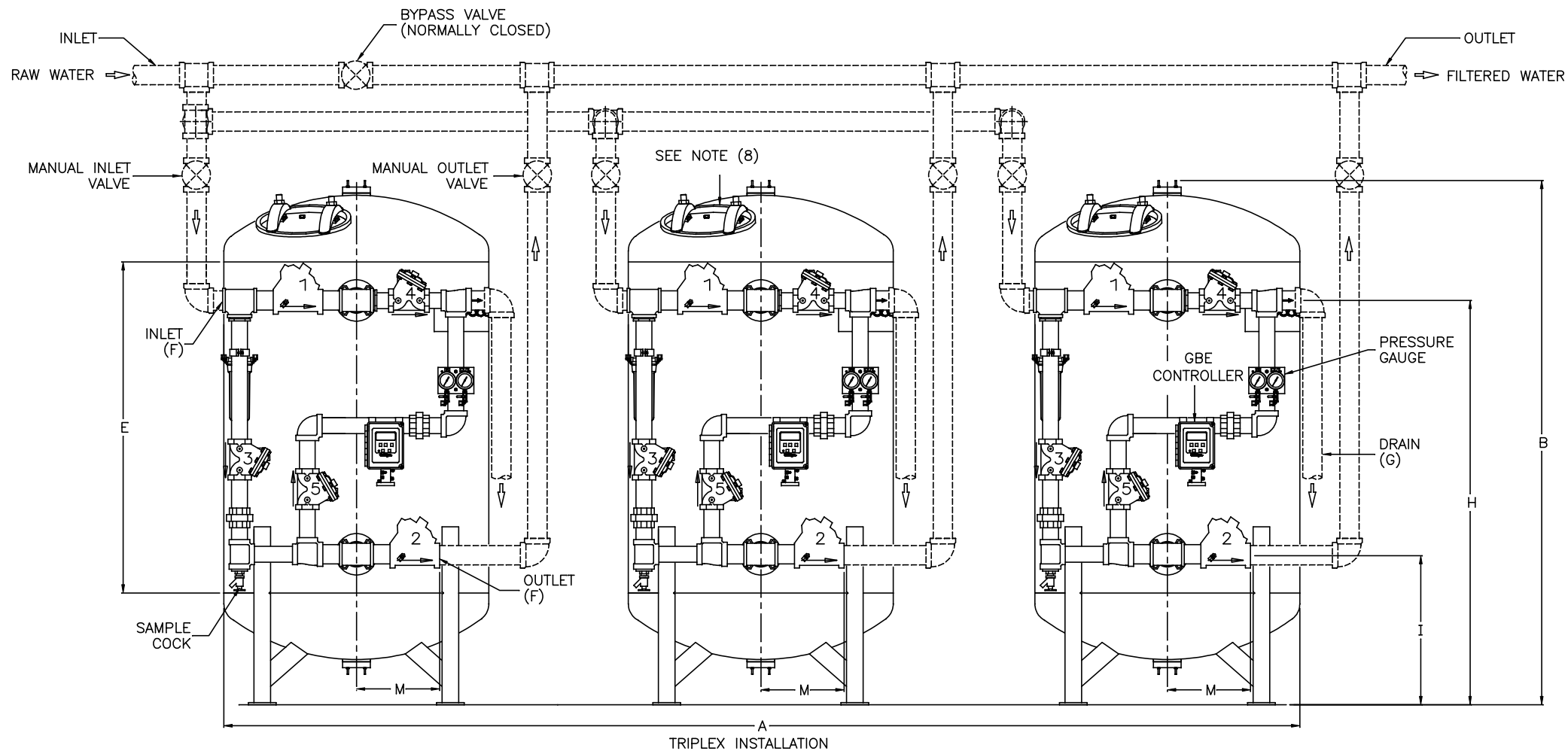
NOTES:

- (1) ITEMS SHOWN IN BROKEN LINES TO BE FURNISHED BY OTHERS.
- (2) ALL DIMENSIONS ARE ± 1 INCH (25mm) AND SUBJECT TO CHANGE WITHOUT NOTICE.
- (3) UNIONS SHOULD BE LOCATED ON INLET AND OUTLET CONNECTIONS OF CONTROL VALVE TO FACILITATE SERVICING.
- (4) THE USE OF DISSIMILAR METALS IN A PIPING SYSTEM IS NOT RECOMMENDED. WHERE DISSIMILAR METALS MUST BE CONNECTED IN A WATER SYSTEM. THE USE OF NONCONDUCTIVE (DIELECTRIC) FITTINGS MAY REDUCE GALVANIC CORROSION.
- (5) AN ELECTRICAL OUTLET SHOULD BE PROVIDED WITHIN FIVE FEET OF THE EQUIPMENT LOCATION.
- (6) ALLOW A MINIMUM OF 24 INCHES ABOVE SOFTENER FOR FILLING.
- (7) TO PERMIT THE OBSERVATION OF THE DRAIN FLOW DO NOT MAKE A DIRECT CONNECTION TO THE DRAIN. PROVIDE AN AIR GAP OF AT LEAST FOUR TIMES THE DIAMETER OF THE DRAIN PIPE OR CONFORM TO LOCAL SANITATION CODES.
- (8) ACCESS OPENINGS SHOWN ON TANK ARE FOR REFERENCE ONLY. QUANTITY, TYPE AND PLACEMENT ARE DEPENDENT ON TANK SIZE.

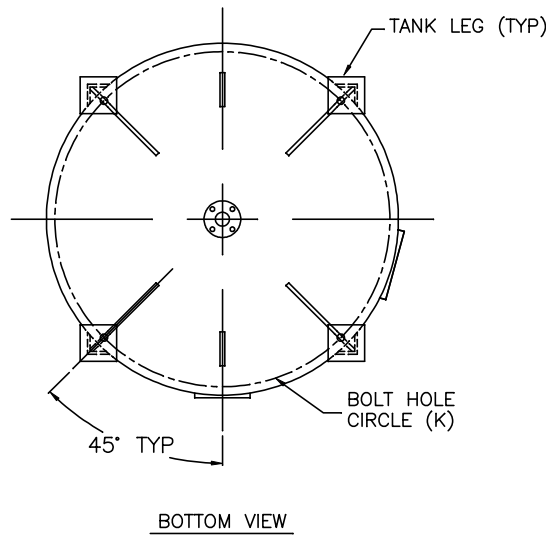
MODEL	DIMENSIONS (INCHES)											UNIT DATA PER TANK							
	WIDTH A	HEIGHT B	DEPTH C	TANK DIA. D	SIDE-SHELL E	INLET/OUTLET PIPE SIZES F	DRAIN SIZE G	FLOOR TO INLET H	FLOOR TO OUTLET I	BACK TO INLET/OUTLET J	BOLT HOLE CIRCLE K	INLET OFFSET L	OUTLET OFFSET M	NORMAL FLOW gpm @ DP	PEAK FLOW gpm @ DP	DRAIN FLOW gpm	MIN. DRAIN PIPE SIZE IN.	TRIPLEX OPER. WT. lbs.	TRIPLEX SHIP. WT. lbs.
HD-483	171	93	65	48	60	3.0	3.0	73	27	57	45.7	24	15	126 @ 5	189 @ 10	188	3.0	28500	21000



TOP VIEW



A
TRIPLEX INSTALLATION



BOTTOM VIEW

DO NOT SCALE DRAWING
TOLERANCES: ±1/8" UNLESS OTHERWISE NOTED

Let.	Change	By	App	Date

Culligan®
ENGINEERED SYSTEMS
ROSEMONT, ILLINOIS

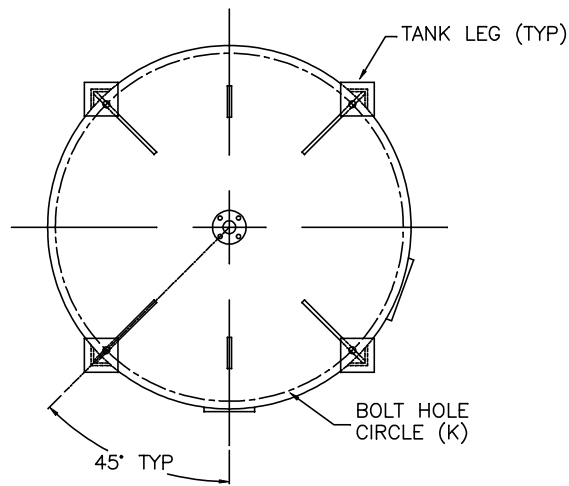
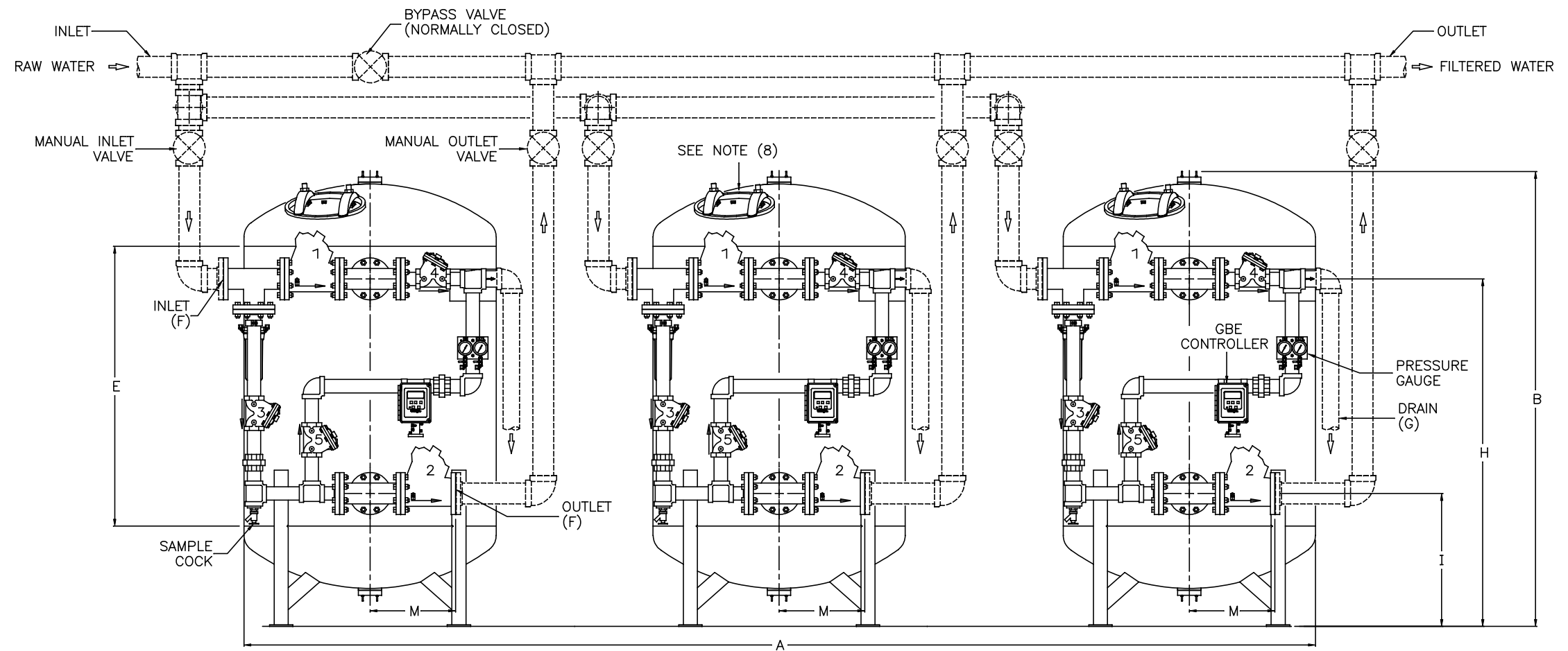
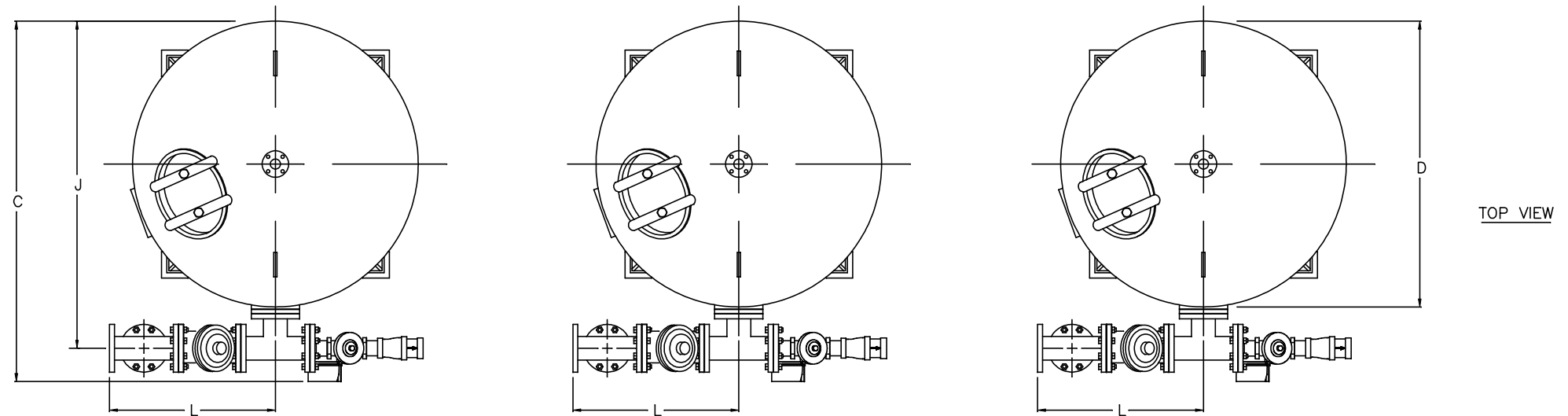
PRINT AND BILL OF MATERIAL ARE NOT TO BE USED WITHOUT THE WRITTEN CONSENT OF CULLIGAN INTERNATIONAL CO.

NAME HI-FLO® 50 FILTERS (DEPTH) MODELS HD-483 TECHNICAL DATA SHEET		
DETAILED BY: KMR 7/29/03	APP. BY: KSR 01/11/10	SHEET 1 OF 1
REF. NO.	PART NO. F50_3_3_DEPTH	

NOTES:

- (1) ITEMS SHOWN IN BROKEN LINES TO BE FURNISHED BY OTHERS.
- (2) ALL DIMENSIONS ARE ± 1 INCH (25mm) AND SUBJECT TO CHANGE WITHOUT NOTICE.
- (3) UNIONS SHOULD BE LOCATED ON INLET AND OUTLET CONNECTIONS OF CONTROL VALVE TO FACILITATE SERVICING.
- (4) THE USE OF DISSIMILAR METALS IN A PIPING SYSTEM IS NOT RECOMMENDED. WHERE DISSIMILAR METALS MUST BE CONNECTED IN A WATER SYSTEM. THE USE OF NONCONDUCTIVE (DIELECTRIC) FITTINGS MAY REDUCE GALVANIC CORROSION.
- (5) AN ELECTRICAL OUTLET SHOULD BE PROVIDED WITHIN FIVE FEET OF THE EQUIPMENT LOCATION.
- (6) ALLOW A MINIMUM OF 24 INCHES ABOVE SOFTENER FOR FILLING.
- (7) TO PERMIT THE OBSERVATION OF THE DRAIN FLOW DO NOT MAKE A DIRECT CONNECTION TO THE DRAIN. PROVIDE AN AIR GAP OF AT LEAST FOUR TIMES THE DIAMETER OF THE DRAIN PIPE OR CONFORM TO LOCAL SANITATION CODES.
- (8) ACCESS OPENINGS SHOWN ON TANK ARE FOR REFERENCE ONLY. QUANTITY, TYPE AND PLACEMENT ARE DEPENDENT ON TANK SIZE.

MODEL	DIMENSIONS (INCHES)											UNIT DATA PER TANK							
	WIDTH A	HEIGHT B	DEPTH C	TANK DIA. D	SIDE-SHELL E	INLET/OUTLET PIPE SIZES F	DRAIN SIZE G	FLOOR TO INLET H	FLOOR TO OUTLET I	BACK TO INLET/OUTLET J	BOLT HOLE CIRCLE K	INLET OFFSET L	OUTLET OFFSET M	NORMAL FLOW gpm @ DP	PEAK FLOW gpm @ DP	DRAIN FLOW gpm	MIN. DRAIN PIPE SIZE IN.	TRIPLEX OPER. WT. lbs.	TRIPLEX SHIP. WT. lbs.
HD-544	189	96	72	54	60	4.0	3.0	75	29	62	51.7	32	18	159 @ 5	239 @ 8	210	3.0	36000	26400
HD-604	207	98	78	60	60	4.0	3.0	76	30	68	57.63	32	18	196 @ 4	295 @ 10	270	4.0	45000	32400



BOTTOM VIEW

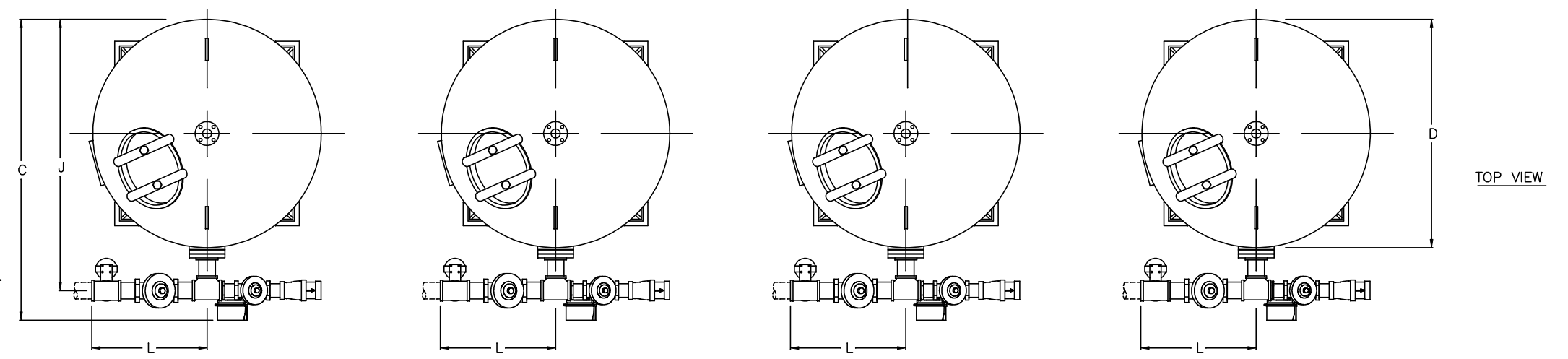
TRIPLEX INSTALLATION

DO NOT SCALE DRAWING TOLERANCES: ±1/8" UNLESS OTHERWISE NOTED					ENGINEERED SYSTEMS ROSEMONT, ILLINOIS PRINT AND BILL OF MATERIAL ARE NOT TO BE USED WITHOUT THE WRITTEN CONSENT OF CULLIGAN INTERNATIONAL CO.	NAME HI-FLO® 50 FILTERS (DEPTH) MODELS HD-544, HD-604 TECHNICAL DATA SHEET		
Let.	Change	By	App	Date		DETAILED BY: KMR 7/29/03	APP. BY: KSR 01/11/10	SHEET 1 OF 1
						REF. NO.	PART NO. F50_4_3_DEPTH	

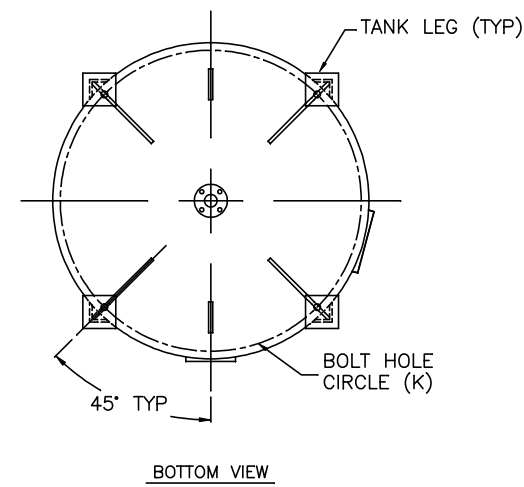
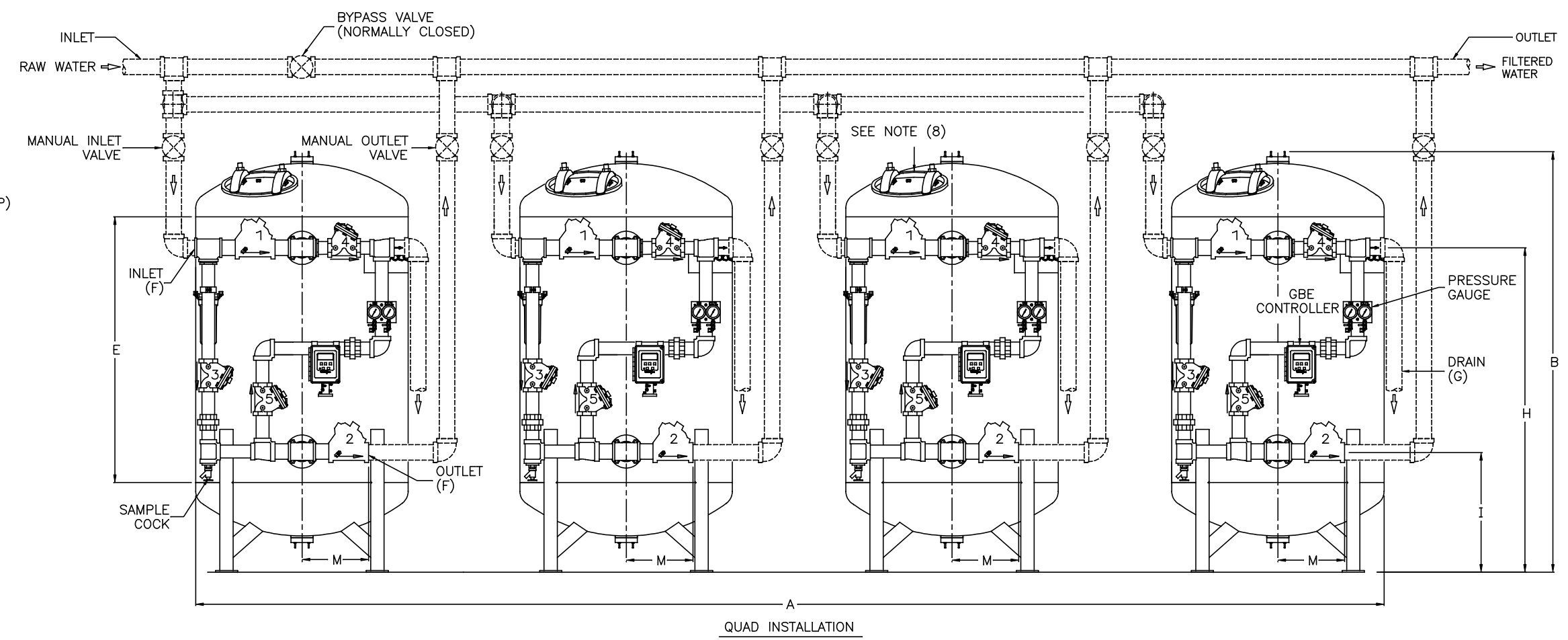
NOTES:

- (1) ITEMS SHOWN IN BROKEN LINES TO BE FURNISHED BY OTHERS.
- (2) ALL DIMENSIONS ARE ± 1 INCH (25mm) AND SUBJECT TO CHANGE WITHOUT NOTICE.
- (3) UNIONS SHOULD BE LOCATED ON INLET AND OUTLET CONNECTIONS OF CONTROL VALVE TO FACILITATE SERVICING.
- (4) THE USE OF DISSIMILAR METALS IN A PIPING SYSTEM IS NOT RECOMMENDED. WHERE DISSIMILAR METALS MUST BE CONNECTED IN A WATER SYSTEM. THE USE OF NONCONDUCTIVE (DIELECTRIC) FITTINGS MAY REDUCE GALVANIC CORROSION.
- (5) AN ELECTRICAL OUTLET SHOULD BE PROVIDED WITHIN FIVE FEET OF THE EQUIPMENT LOCATION.
- (6) ALLOW A MINIMUM OF 24 INCHES ABOVE SOFTENER FOR FILLING.
- (7) TO PERMIT THE OBSERVATION OF THE DRAIN FLOW DO NOT MAKE A DIRECT CONNECTION TO THE DRAIN. PROVIDE AN AIR GAP OF AT LEAST FOUR TIMES THE DIAMETER OF THE DRAIN PIPE OR CONFORM TO LOCAL SANITATION CODES.
- (8) ACCESS OPENINGS SHOWN ON TANK ARE FOR REFERENCE ONLY. QUANTITY, TYPE AND PLACEMENT ARE DEPENDENT ON TANK SIZE.

MODEL	DIMENSIONS (INCHES)													UNIT DATA PER TANK					
	WIDTH A	HEIGHT B	DEPTH C	TANK DIA. D	SIDE-SHELL E	INLET/OUTLET PIPE SIZES F	DRAIN SIZE G	FLOOR TO INLET H	FLOOR TO OUTLET I	BACK TO INLET/OUTLET J	BOLT HOLE CIRCLE K	INLET OFFSET L	OUTLET OFFSET M	NORMAL FLOW gpm @ DP	PEAK FLOW gpm @ DP	DRAIN FLOW gpm	MIN. DRAIN PIPE SIZE IN.	QUAD OPER. WT. lbs.	QUAD SHIP. WT. lbs.
HD-483	232	93	65	48	60	3.0	3.0	73	27	57	45.7	24	15	126 @ 5	189 @ 10	188	3.0	38000	28000



TOP VIEW



BOTTOM VIEW

DO NOT SCALE DRAWING
TOLERANCES: ±1/8" UNLESS OTHERWISE NOTED

Let.	Change	By	App	Date

Culligan®
ENGINEERED SYSTEMS
ROSEMONT, ILLINOIS

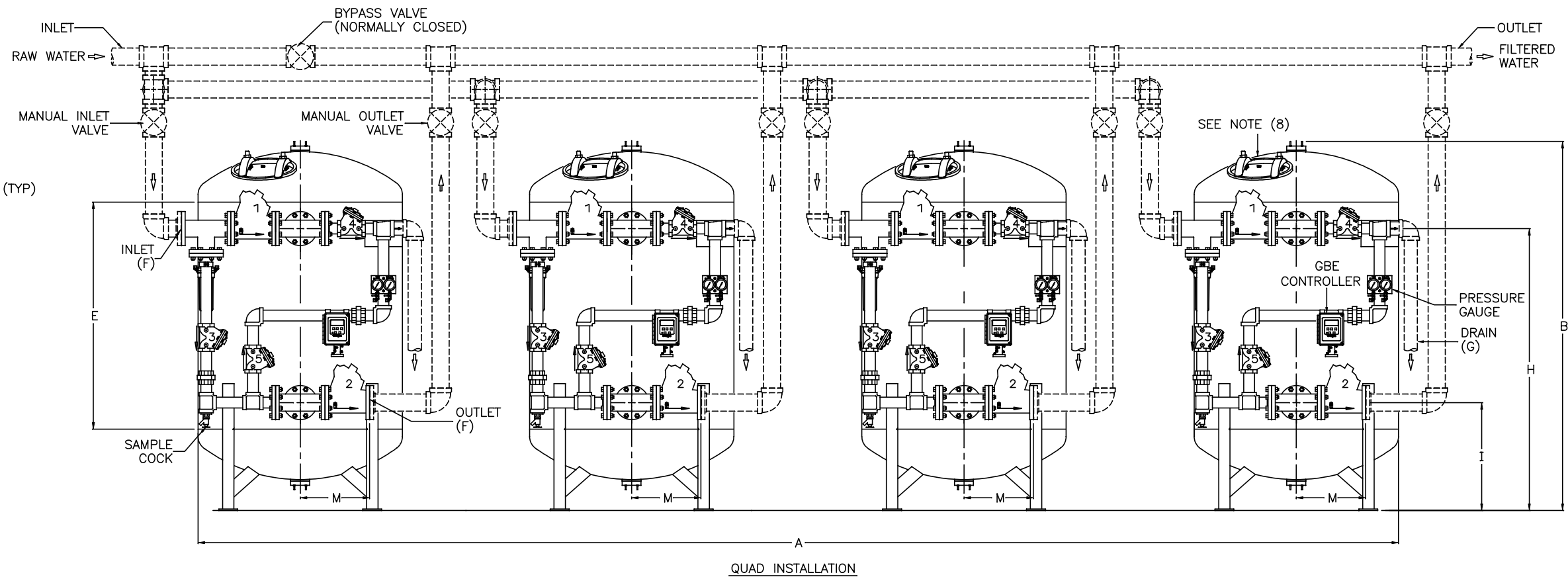
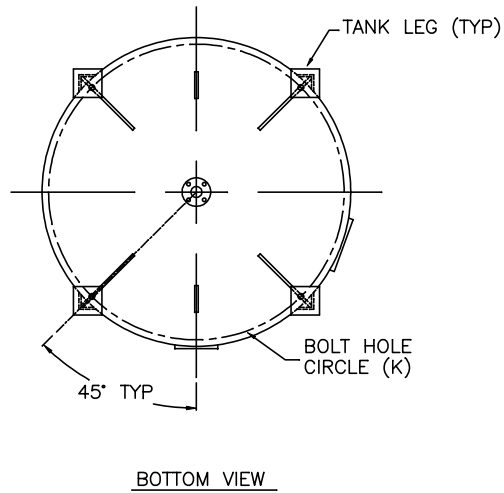
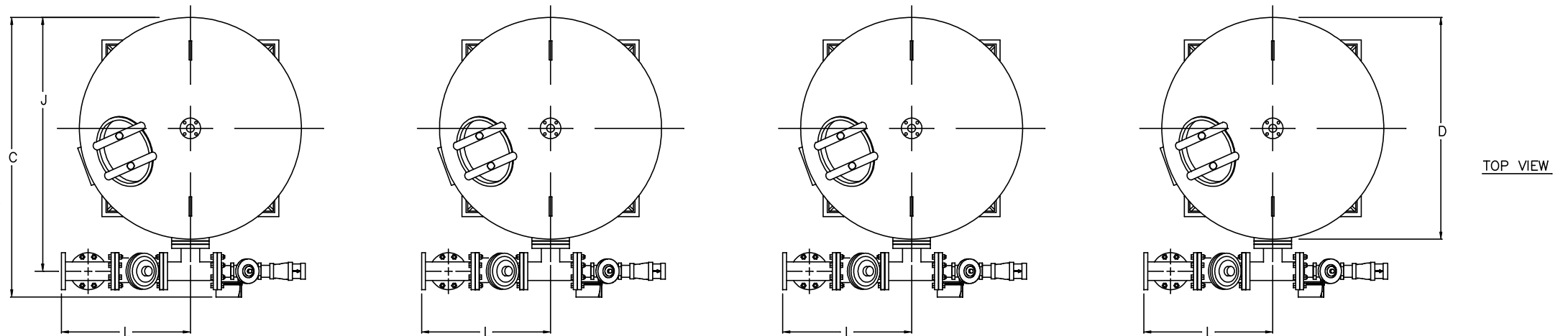
PRINT AND BILL OF MATERIAL ARE NOT TO BE USED WITHOUT THE WRITTEN CONSENT OF CULLIGAN INTERNATIONAL CO.

NAME HI-FLO® 50 FILTERS (DEPTH) MODELS HD-483 TECHNICAL DATA SHEET		
DETAILED BY: KMR 7/29/03	APP. BY: KSR 01/11/10	SHEET 1 OF 1
REF. NO.	PART NO. F50_3_4_DEPTH	

NOTES:

- (1) ITEMS SHOWN IN BROKEN LINES TO BE FURNISHED BY OTHERS.
- (2) ALL DIMENSIONS ARE ± 1 INCH (25mm) AND SUBJECT TO CHANGE WITHOUT NOTICE.
- (3) UNIONS SHOULD BE LOCATED ON INLET AND OUTLET CONNECTIONS OF CONTROL VALVE TO FACILITATE SERVICING.
- (4) THE USE OF DISSIMILAR METALS IN A PIPING SYSTEM IS NOT RECOMMENDED. WHERE DISSIMILAR METALS MUST BE CONNECTED IN A WATER SYSTEM. THE USE OF NONCONDUCTIVE (DIELECTRIC) FITTINGS MAY REDUCE GALVANIC CORROSION.
- (5) AN ELECTRICAL OUTLET SHOULD BE PROVIDED WITHIN FIVE FEET OF THE EQUIPMENT LOCATION.
- (6) ALLOW A MINIMUM OF 24 INCHES ABOVE SOFTENER FOR FILLING.
- (7) TO PERMIT THE OBSERVATION OF THE DRAIN FLOW DO NOT MAKE A DIRECT CONNECTION TO THE DRAIN. PROVIDE AN AIR GAP OF AT LEAST FOUR TIMES THE DIAMETER OF THE DRAIN PIPE OR CONFORM TO LOCAL SANITATION CODES.
- (8) ACCESS OPENINGS SHOWN ON TANK ARE FOR REFERENCE ONLY. QUANTITY, TYPE AND PLACEMENT ARE DEPENDENT ON TANK SIZE.

MODEL	DIMENSIONS (INCHES)													UNIT DATA PER TANK					
	WIDTH A	HEIGHT B	DEPTH C	TANK DIA. D	SIDE-SHELL E	INLET/OUTLET PIPE SIZES F	DRAIN SIZE G	FLOOR TO INLET H	FLOOR TO OUTLET I	BACK TO INLET/OUTLET J	BOLT HOLE CIRCLE K	INLET OFFSET L	OUTLET OFFSET M	NORMAL FLOW gpm @ DP	PEAK FLOW gpm @ DP	DRAIN FLOW gpm	MIN. DRAIN PIPE SIZE IN.	QUAD OPER. WT. lbs.	QUAD SHIP. WT. lbs.
HD-544	256	96	72	54	60	4.0	3.0	75	29	62	51.7	32	18	159 @ 5	239 @ 8	210	3.0	48000	35200
HD-604	280	98	78	60	60	4.0	3.0	76	30	68	57.63	32	18	196 @ 4	295 @ 10	270	4.0	60000	43200



DO NOT SCALE DRAWING
TOLERANCES: ±1/8" UNLESS OTHERWISE NOTED

Let.	Change	By	App	Date

Culligan®
ENGINEERED SYSTEMS
ROSEMONT, ILLINOIS

PRINT AND BILL OF MATERIAL ARE NOT TO BE USED WITHOUT THE WRITTEN CONSENT OF CULLIGAN INTERNATIONAL CO.

NAME HI-FLO® 50 FILTERS (DEPTH) MODELS HD-544, HD-604 TECHNICAL DATA SHEET		
DETAILED BY: KMR 7/29/03	APP. BY: KSR 01/11/10	SHEET 1 OF 1
REF. NO.	PART NO. F50_4_4_DEPTH	