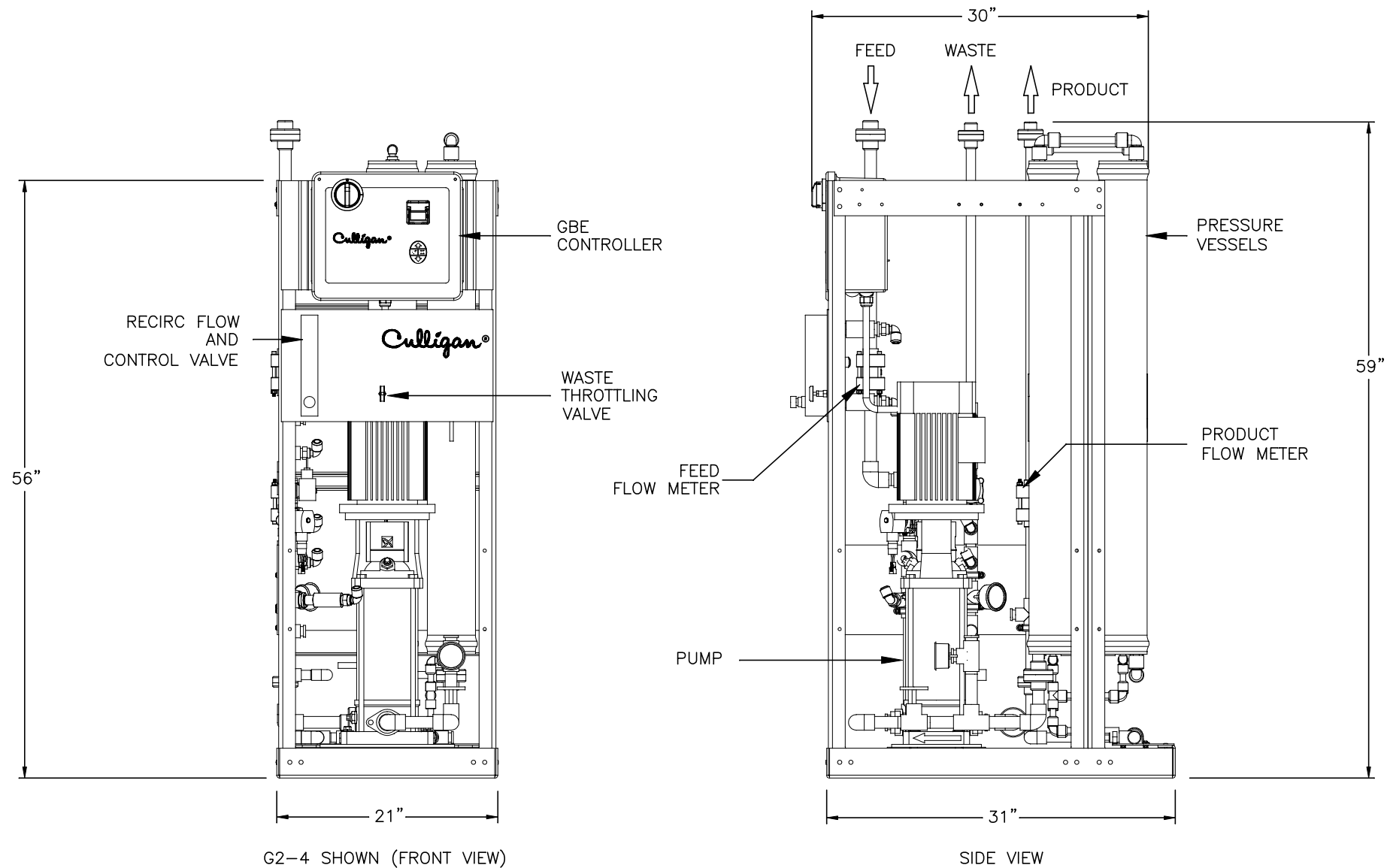


NOTES:

- (1) ALL DIMENSIONS ARE GIVEN IN INCHES AND ARE APPROXIMATE.
- (2) MODEL G2-4 IS SHOWN.
- (3) ALLOW 45 INCHES ABOVE THE UNIT FOR SERVICING AND REPLACEMENT OF MODULES.
- (4) PROVIDE A DRAIN CAPABLE OF HANDLING AT LEAST 3.5 GALLONS PER MINUTE. DO NOT MAKE A DIRECT CONNECTION TO THE DRAIN. PROVIDE AN AIR GAP OF AT LEAST FOUR TIMES THE DIAMETER OF THE DRAIN PIPE TO CONFORM TO SANITATION CODES AND TO PERMIT THE OBSERVATION OF THE DRAIN FLOW. DO NOT INSTALL A VALVE IN DRAIN LINE OR USE PIPE SMALLER THAN LISTED IN TABLE.
- (5) A 20" - 5 MICRON PREFILTER IS PROVIDED TO BE MOUNTED ON THE INLET OF THE UNIT.

MODEL	NOMINAL CAPACITY (GPM/LPM)	NOMINAL CAPACITY (GPD/m <sup>3</sup> /h)	MODULE QTY & SIZE	APPROX. SYSTEM RECOVERY %	MOTOR (HP/KW)	ELECTRIC POWER REQUIRED (VAC)	DIMENSIONS L x W x H (INCHES/MILIMETERS)
G2-2HE	2.78	4000	(2), 4" X 40"	50	2 HP	208-230/3/60	22 x 31 x 56 560 x 787 x 1425
	10.52	0.63			1.49 KW	380-415/3/50	
G2-3HE	4.03	5800	(3), 4" X 40"	60	2 HP	208-230/3/60	22 x 31 x 56 560 x 787 x 1425
	15.25	0.91			1.49 KW	380-415/3/50	
G2-4HE	5.21	7500	(4), 4" X 40"	60	2 HP	208-230/3/60	22 x 31 x 56 560 x 787 x 1425
	19.72	1.18			1.49 KW	380-415/3/50	
G2-5HE	6.25	9000	(5), 4" X 40"	75	2 HP	208-230/3/60	22 x 31 x 56 560 x 787 x 1425
	23.66	1.42			1.49 KW	380-415/3/50	
G2-6HE	6.94	10000	(6), 4" X 40"	75	2 HP	208-230/3/60	22 x 31 x 56 560 x 787 x 1425
	26.29	1.58			1.49 KW	380-415/3/50	



G2-4 SHOWN (FRONT VIEW)

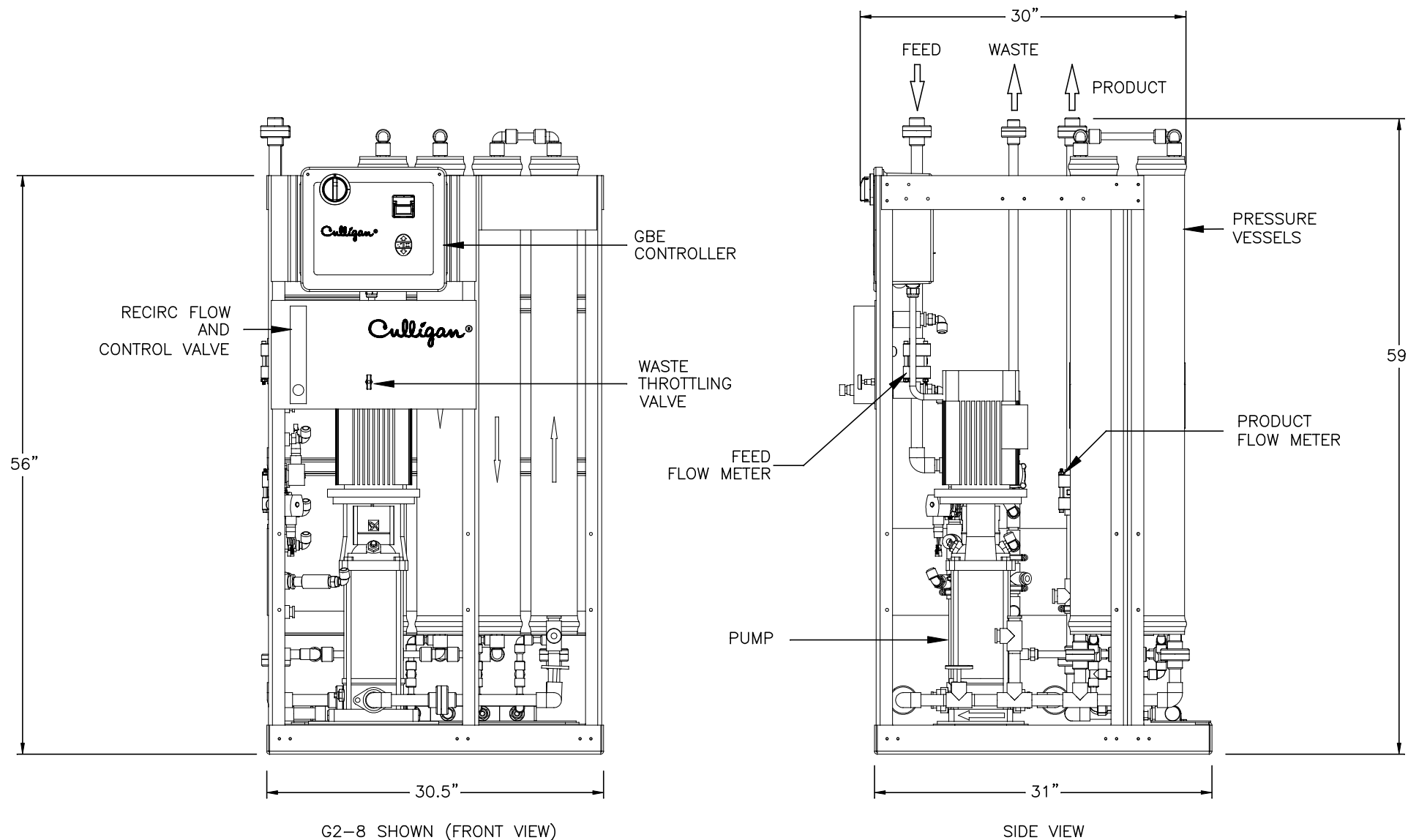
SIDE VIEW

DO NOT SCALE DRAWING TOLERANCES: ±1/8" UNLESS OTHERWISE NOTED					 <b>ENGINEERED SYSTEMS</b> ROSEMONT, ILLINOIS PRINT AND BILL OF MATERIAL ARE NOT TO BE USED WITHOUT THE WRITTEN CONSENT OF CULLIGAN INTERNATIONAL CO.	NAME SERIES G2 HE (2HE - 6HE) REVERSE OSMOSIS SYSTEMS TECHNICAL DATA SHEET		
Let.	Change	By	App	Date		DETAILED BY: KMR 11/19/2008	APP. BY:	SHEET 1 OF 1
						REF. NO.	PART NO.	
						SERIES_G2HE-1		

NOTES:

- (1) ALL DIMENSIONS ARE GIVEN IN INCHES AND ARE APPROXIMATE.
- (2) MODEL G2-8 IS SHOWN.
- (3) ALLOW 45 INCHES ABOVE THE UNIT FOR SERVICING AND REPLACEMENT OF MODULES.
- (4) PROVIDE A DRAIN CAPABLE OF HANDLING AT LEAST 6.5 GALLONS PER MINUTE. DO NOT MAKE A DIRECT CONNECTION TO THE DRAIN. PROVIDE AN AIR GAP OF AT LEAST FOUR TIMES THE DIAMETER OF THE DRAIN PIPE TO CONFORM TO SANITATION CODES AND TO PERMIT THE OBSERVATION OF THE DRAIN FLOW. DO NOT INSTALL A VALVE IN DRAIN LINE OR USE PIPE SMALLER THAN LISTED IN TABLE.
- (5) A 20" - 5 MICRON PREFILTER IS PROVIDED TO BE MOUNTED ON THE INLET OF THE UNIT.

MODEL	NOMINAL CAPACITY (GPM/LPM)	NOMINAL CAPACITY (GPD/m <sup>3</sup> /h)	MODULE QTY & SIZE	APPROX. SYSTEM RECOVERY %	MOTOR (HP/KW)	ELECTRIC POWER REQUIRED (VAC)	DIMENSIONS L x W x H (INCHES/MILIMETERS)
G2-7HE	9.2	13250	(7), 4" X 40"	75	3 HP	208-230/3/60	30.5 x 31 x 56
	34.83	2.09			2.24 KW	380-415/3/50	
G2-8HE	10.42	15000	(8), 4" X 40"	75	3 HP	208-230/3/60	30.5 x 31 x 56
	39.43	2.37			2.24 KW	380-415/3/50	
G2-9HE	11.98	17250	(9), 4" X 40"	75	3 HP	208-230/3/60	30.5 x 31 x 56
	45.35	2.72			2.24 KW	380-415/3/50	
G2-10HE	13.19	19000	(10), 4" X 40"	75	3 HP	208-230/3/60	30.5 x 31 x 56
	49.95	3			2.24 KW	380-415/3/50	



DO NOT SCALE DRAWING  
TOLERANCES: ±1/8" UNLESS OTHERWISE NOTED

Let.	Change	By	App	Date

**Culligan®**  
ENGINEERED SYSTEMS  
ROSEMONT, ILLINOIS

PRINT AND BILL OF MATERIAL ARE NOT TO BE USED WITHOUT THE WRITTEN CONSENT OF CULLIGAN INTERNATIONAL CO.

NAME: SERIES G2 HE (7HE - 10HE)  
REVERSE OSMOSIS SYSTEMS  
TECHNICAL DATA SHEET

DETAILED BY: KMR 11/19/2008	APP. BY:	SHEET 1 OF 1
REF. NO.	PART NO. SERIES_G2HE-2	