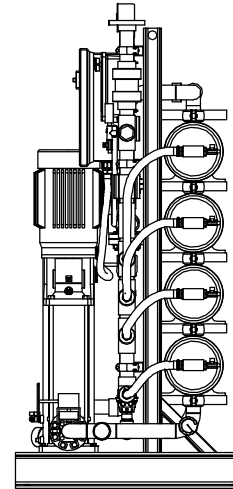
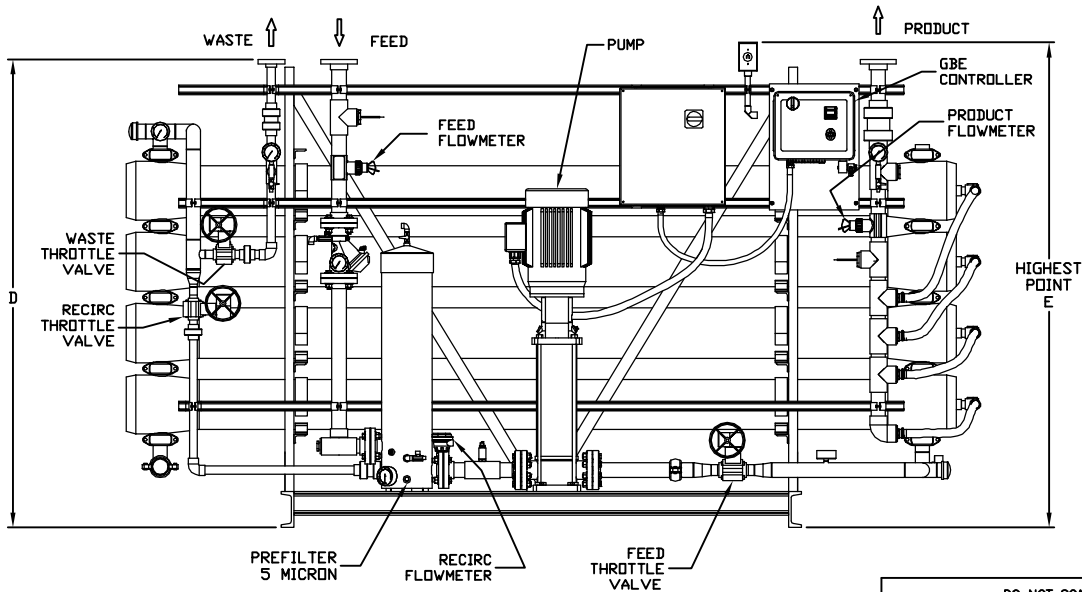
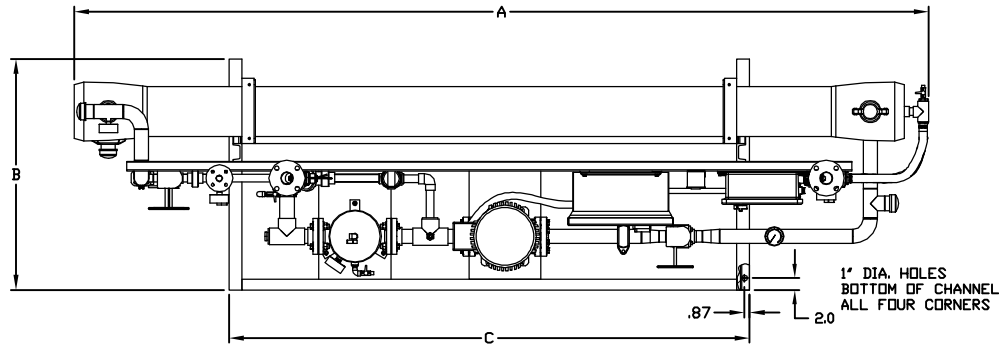


- (1) ALL DIMENSIONS ARE GIVEN IN INCHES AND ARE APPROXIMATE.
- (2) SYSTEM G3-433 IS SHOWN.
- (3) ALLOW 48 INCHES ON BOTH ENDS OF UNIT FOR SERVICING AND REPLACEMENT OF MODULES.

MODEL	NOMINAL CAPACITY (GPD/LPD)	NOMINAL CAPACITY (GPM/MSM)	MODULE QTY & SIZE	APPROX. SYSTEM RECOVERY %	MOTOR (HP/KW)	ELECTRIC POWER REQUIRED (VAC)	NOMINAL FLANGE SIZE (INCHES)			DIMENSIONS (INCHES/CENTIMETERS)				
							FEED	PRODUCT	WASTE	WIDTH (A)	DEPTH (B)	WIDTH (C)	FLANGE HEIGHT (D)	HEIGHT (E)
G3-222	16.7	24,000	(4), 8" X 40"	75	7.5	460/3/60Hz	1.5	1.5	1.0	102.7	32.8	62.8	54	66
	63	3.8			5.59	380/3/50Hz				260.8	83.3	159.5	137.2	167.6
G3-232	25	36,000	(6), 8" X 40"	75	10	460/3/60Hz	2.0	1.5	1.0	142.4	36.5	86.8	54.3	62
	95	5.7			7.46	380/3/50Hz				361.7	92.7	220.5	137.9	157.5
G3-333	35	50,000	(9), 8" X 40"	75	15	460/3/60Hz	2.0	1.5	1.0	142.4	36.5	86.8	54.3	62
	132	7.9			11.19	380/3/50Hz				361.7	92.7	220.5	137.9	157.5
G3-433	50	72,000	(12), 8" X 40"	75	20	460/3/60Hz	2.0	2.0	1.0	142.4	36.5	86.8	78	80.7
	189	11.4			14.91	380/3/50Hz				361.7	92.7	220.5	198.1	205
G3-533	62.5	90,000	(15), 8" X 40"	75	25	460/3/60Hz	2.5	2.0	1.5	142.4	36.5	86.8	78	80.7
	237	14.2			18.64	380/3/50Hz				361.7	92.7	220.5	198.1	205
G3-543	84	120,960	(20), 8" X 40"	75	30	460/3/60Hz	2.5	2.5	1.5	182.4	38.5	134.8	93	93
	318	19.1			22.37	380/3/50Hz				463.3	97.8	342.4	236.2	236.2
G3-643	100	144,000	(24), 8" X 40"	75	40	460/3/60Hz	2.5	2.5	1.5	182.4	38.5	134.8	93	93
	379	22.7			29.83	380/3/50Hz				463.3	97.8	342.4	236.2	236.2



DO NOT SCALE DRAWING
TOLERANCES: ±1/8" UNLESS OTHERWISE NOTED

Let.	Change	By	App	Date

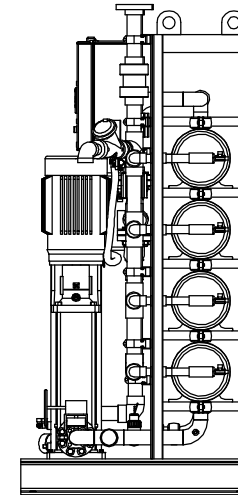
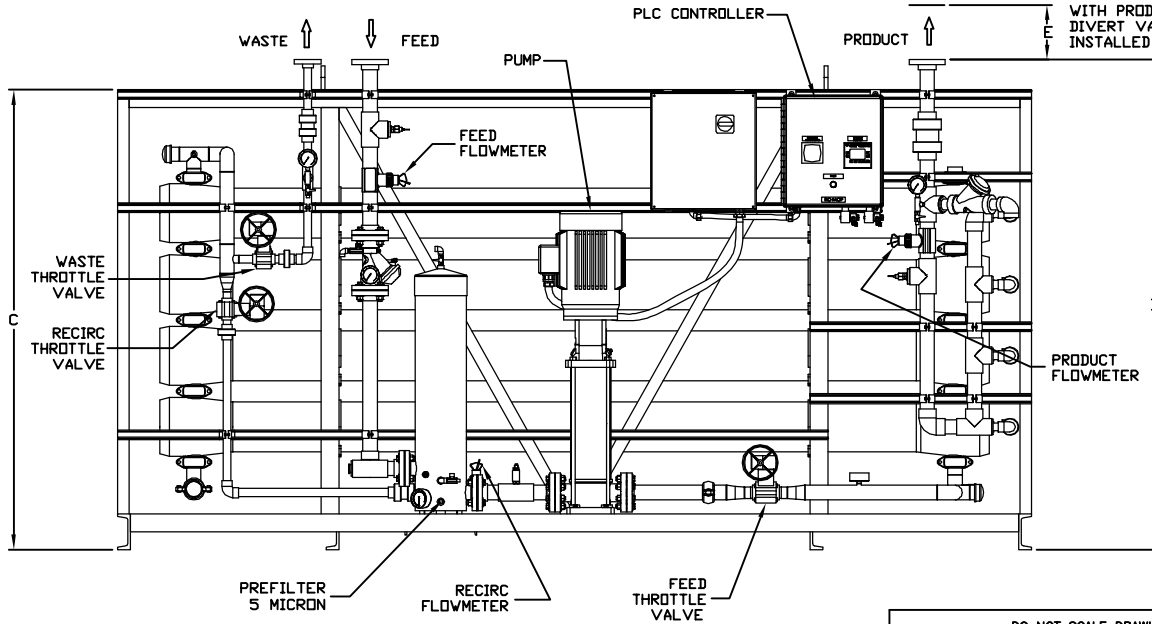
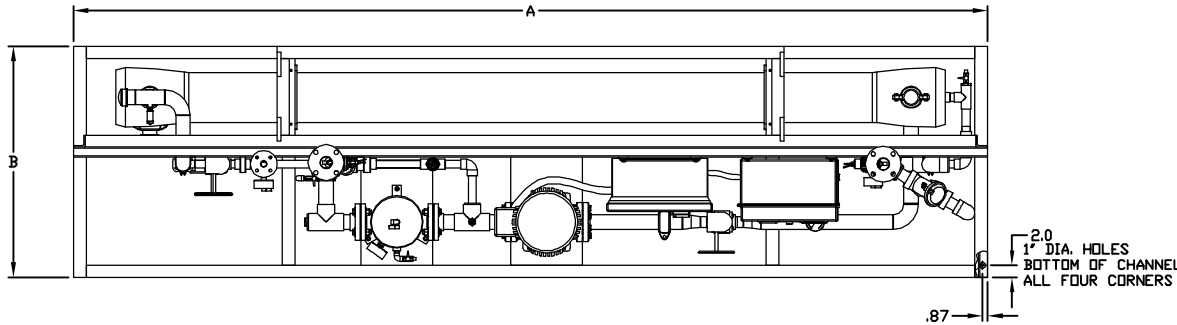
Culligan®
ENGINEERED SYSTEMS
ROSEMONT, ILLINOIS

PRINT AND BILL OF MATERIAL ARE NOT TO BE USED WITHOUT THE WRITTEN CONSENT OF CULLIGAN INTERNATIONAL CO.

NAME		SERIES G3	
REVERSE OSMOSIS SYSTEMS		TECHNICAL DATA SHEET	
DETAILED BY:	APP. BY:	SHEET	
MKM 1/14/10		1 OF 1	
REF. NO.	PART NO.	RO SERIES G3	

- (1) ALL DIMENSIONS ARE GIVEN IN INCHES AND ARE APPROXIMATE.
- (2) SYSTEM G3 PLUS-433 IS SHOWN.
- (3) ALLOW 48 INCHES ON BOTH ENDS OF UNIT FOR SERVICING AND REPLACEMENT OF MODULES.

MODEL	NOMINAL CAPACITY (GPM/LPM)	NOMINAL CAPACITY (GPD/m ³ /d)	MODULE QTY & SIZE	APPROX. SYSTEM RECOVERY %	MOTOR (HP/KW)	ELECTRIC POWER REQUIRED (VAC)	NOMINAL FLANGE SIZE (INCHES)			DIMENSIONS (INCHES/CENTIMETERS)				
							FEED	PRODUCT	WASTE	WIDTH (A)	DEPTH (B)	HEIGHT (C)	FLANGE HEIGHT (D)	VALVE HEIGHT (E)
G3 PLUS-232	25	36,000	(6), 8" X 40"	75	10	460/3/60Hz	2.0	1.5	1.0	152.6	38.5	53.0	57.3	13.9
	95	5.7			7.46	380/3/50Hz				387.6	97.8	134.6	145.5	35.3
G3 PLUS-333	35	50,000	(9), 8" X 40"	75	15	460/3/60Hz	2.0	1.5	1.0	152.6	38.5	53.0	57.3	13.9
	132	7.9			11.19	380/3/50Hz				387.6	97.8	134.6	145.5	35.3
G3 PLUS-433	50	72,000	(12), 8" X 40"	75	20	460/3/60Hz	2.0	2.0	1.0	152.6	38.5	76.8	81.8	9.1
	189	11.4			14.91	380/3/50Hz				387.6	97.8	195.1	207.8	23.1
G3 PLUS-533	62.5	90,000	(15), 8" X 40"	75	25	460/3/60Hz	2.5	2.0	1.5	152.6	38.5	76.8	81.8	9.1
	237	14.2			18.64	380/3/50Hz				387.6	97.8	195.1	207.8	23.1
G3 PLUS-543	84	120,960	(20), 8" X 40"	75	30	460/3/60Hz	2.5	2.5	1.5	194.3	38.5	91.3	96.0	11.5
	318	19.1			22.37	380/3/50Hz				463.3	97.8	231.9	243.8	29.2
G3 PLUS-643	100	144,000	(24), 8" X 40"	75	40	460/3/60Hz	2.5	2.5	1.5	194.3	38.5	91.3	96.0	11.5
	379	22.7			29.83	380/3/50Hz				463.3	97.8	231.9	243.8	29.2



DO NOT SCALE DRAWING
TOLERANCES: ±1/8" UNLESS OTHERWISE NOTED

Let.	Change	By	App	Date

Culligan®
ENGINEERED SYSTEMS
ROSEMONT, ILLINOIS

PRINT AND BILL OF MATERIAL ARE NOT TO BE USED WITHOUT THE WRITTEN CONSENT OF CULLIGAN INTERNATIONAL CO.

NAME		SERIES G3 PLUS	
REVERSE OSMOSIS SYSTEMS		TECHNICAL DATA SHEET	
DETAILED BY:	APP. BY:	SHEET	
MKM 1/14/10		1 OF 1	
REF. NO.	PART NO.	RO SERIES G3 PLUS	